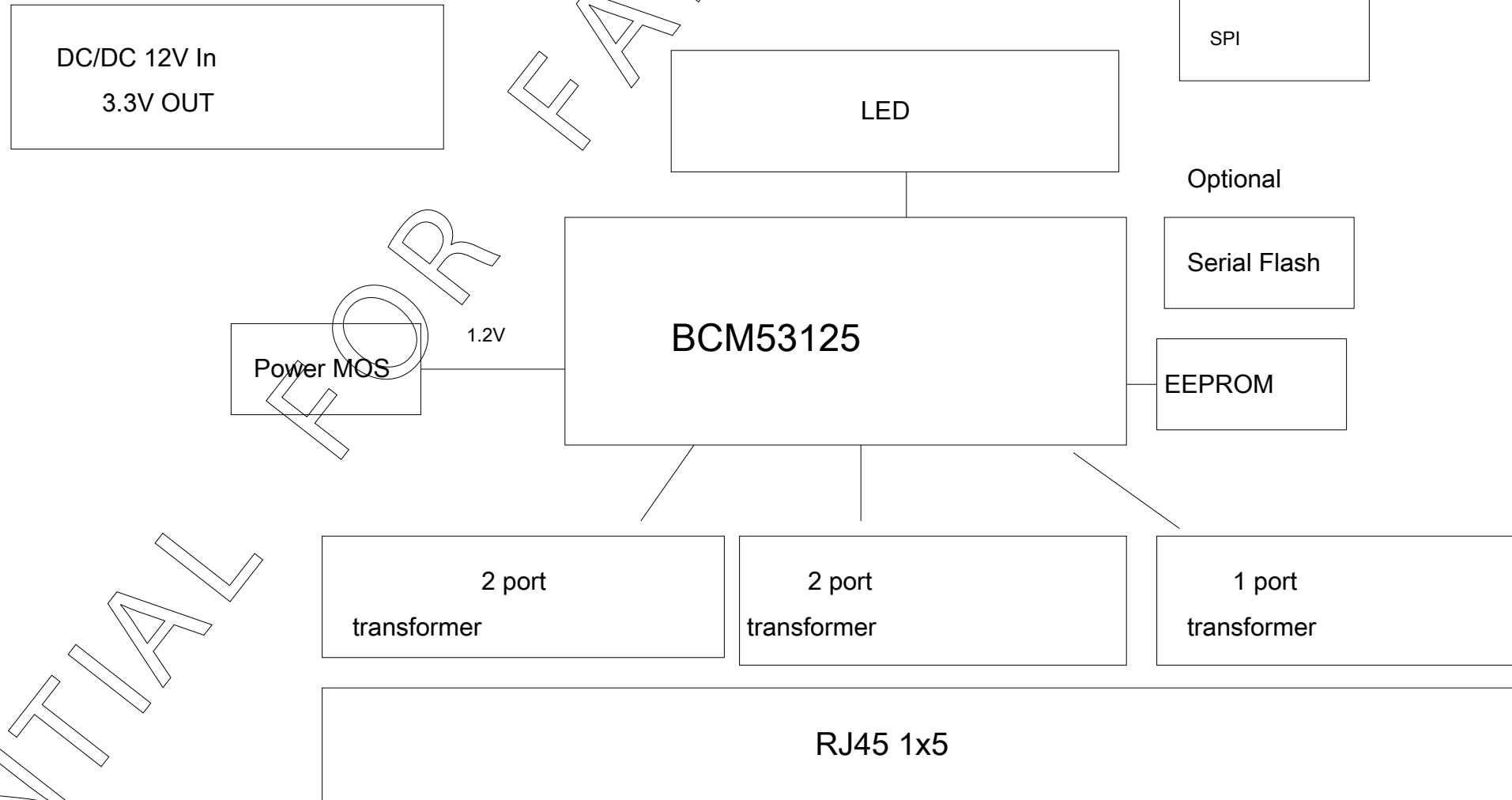


BCM953125R

BCM53125, 5 port 10/100/1000 Switch

2Layer PCB



10/100/1000Mbps

Schematic page contents:

P1: block diagram

P2: system power

P3: 53125_1

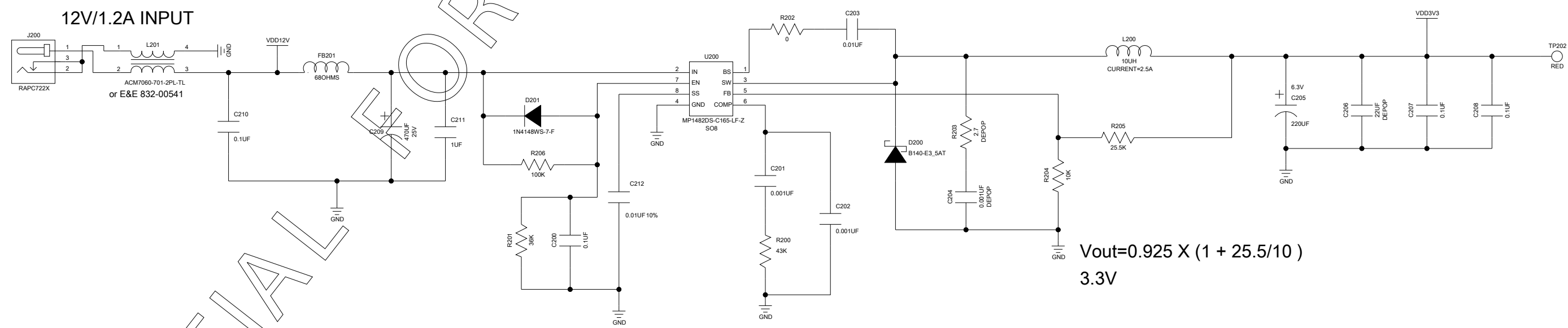
P4: 53125_2

P5: Transformer, RJ45

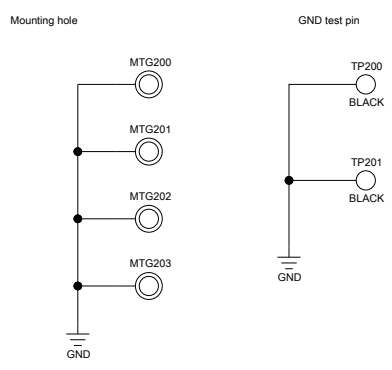
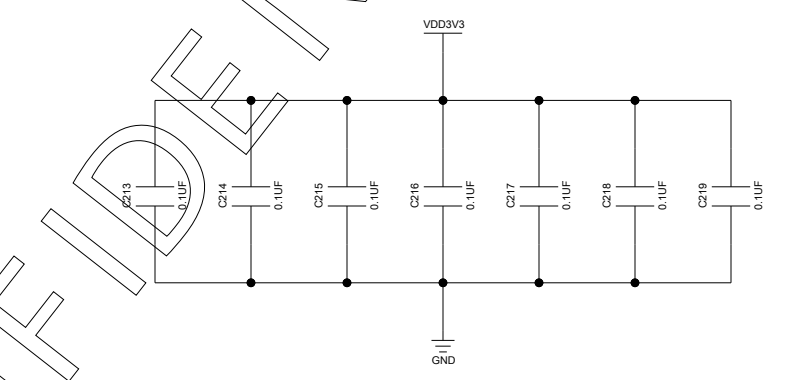
P6: LED

Approvals		 Company Confidential			
Designer	Date				
Reviewer	Date	SIZE	TITLE		
		B	SCHEMATIC - BCM953125R		
Reviewer	Date	Designer		Drawing Number	Version
		STEPHEN LIANG		824-119075-0010	P1
Reviewer	Date	DATE	9-15-2010_16:07	SHEET	1 OF 6

system power



$V_{out} = 0.925 \times (1 + 25.5/10)$
3.3V



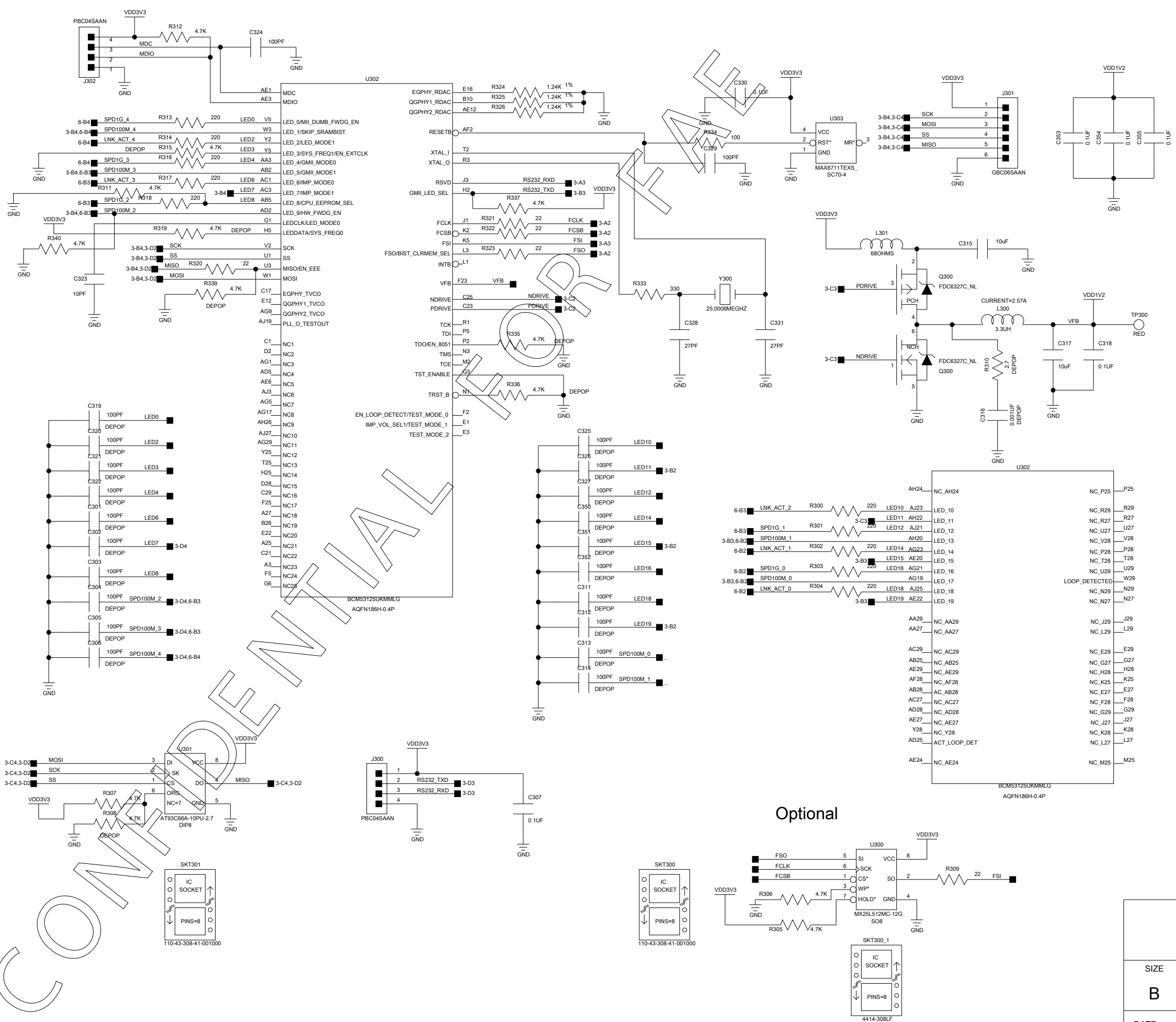
CONFIDENTIAL FOR F&AE

Broadcom

Company Confidential

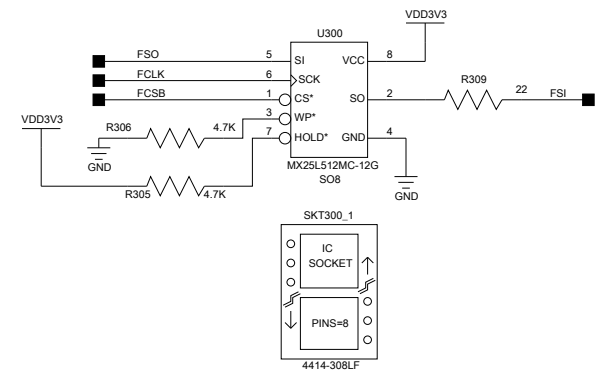
SIZE	TITLE		
B	SCHMATIC - BCM953125R		
DATE	1-22-2010_15:08	SHEET	2 OF 6

BCM53125



Strip Pin	Function	Setting	Default
LED_MODE[1:0]	SPD1G, SPD100M, LNK/ACT, DPX	10	10
SYSFREQ[1:0]	00=83MHz, 01=91MHz, 10=100MHz, 11=111MHz	10	10
EN_EEE	1 = Enable Energy Efficient Ethernet	1	1
IMP_VOL_SEL1	Select IMP Voltage. 0=2.5v, 1=1.5v	0	0
BIST_CLRMEM_SEL	0= Memory is cleared up on power up	0	0
EN_LOOP_DETECT	0= Disable Loop Detect feature	0	0
GMII_VOL_SEL1	Select GMII voltage; 0=2.5v, 1=1.5v	0	0
GMII_LED_SEL	1= LED output , 0= WAN port	1	0
EN_8051	Enable the 8051; 1=enable, 0=disabled	1	1
MII_DUMB_FWDG_EN	1=Forwarding for dumb mode	1	1
SKIP_SRAMBIST	1=Disable SRAM BIST during power-up	1	1
GMII_MODE[1:0]	11=GMII, 10=RvMII, 01=MII/TMII, 00=RGMII	11	11
IMP_MODE[1:0]	11=GMII, 10=RvMII, 01=MII/TMII, 00=RGMII	11	11
CPU_EEPROM_SEL	0=Enable EEPROM; 1=Enable SPI	0	1
HW_FWDG_EN	1= Traffic is forwarded	1	1

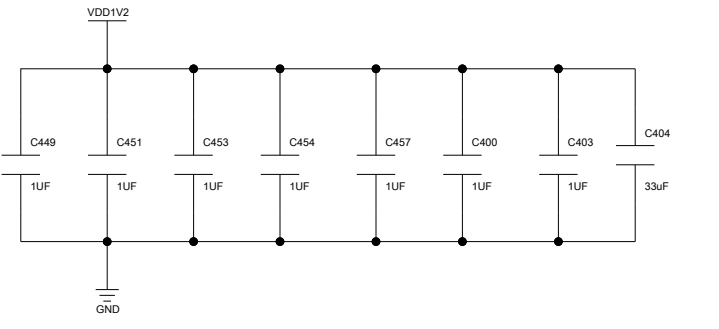
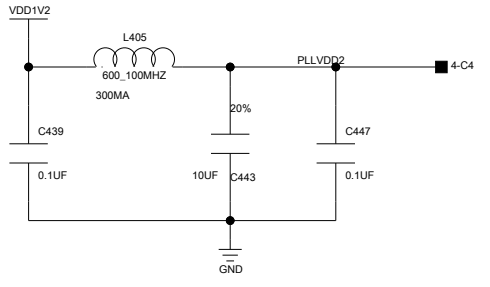
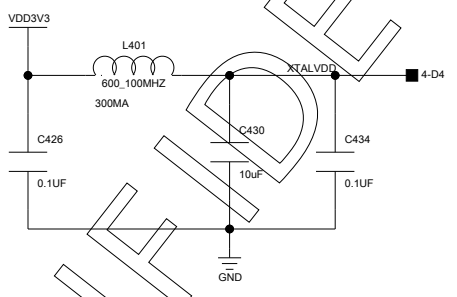
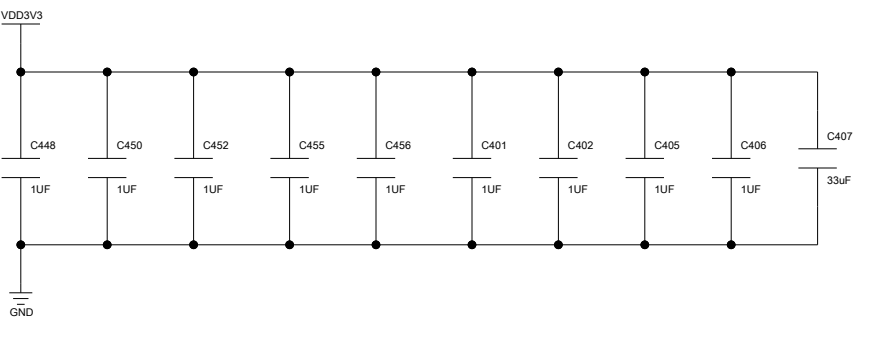
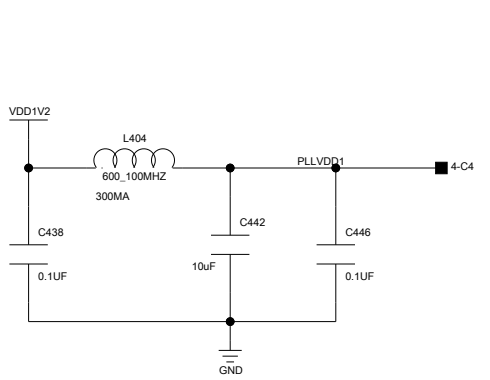
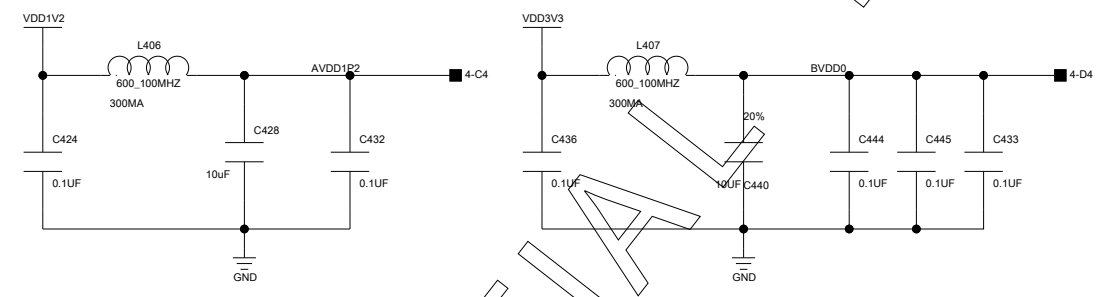
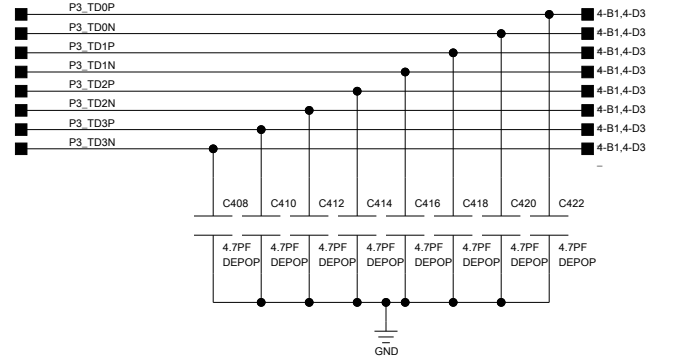
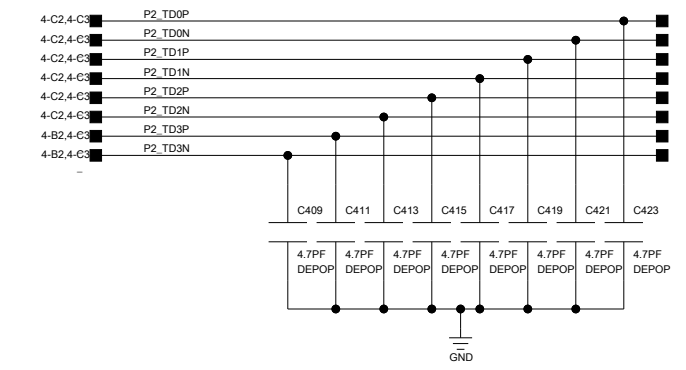
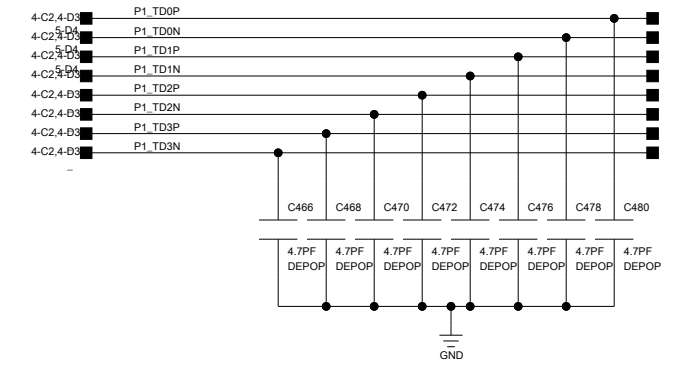
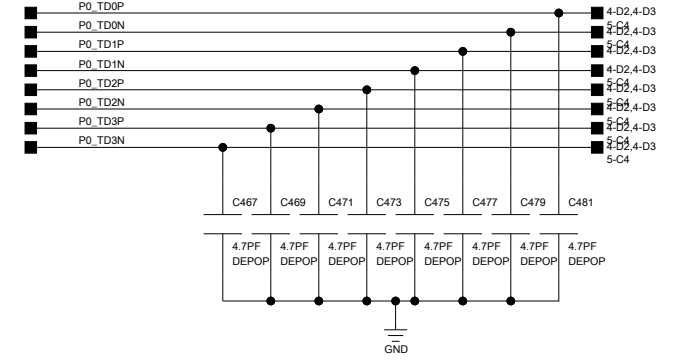
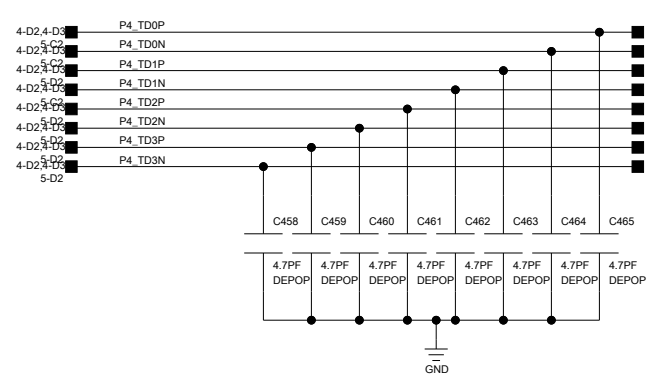
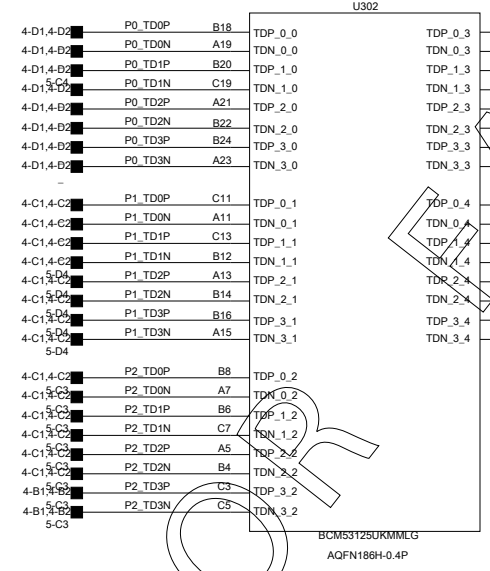
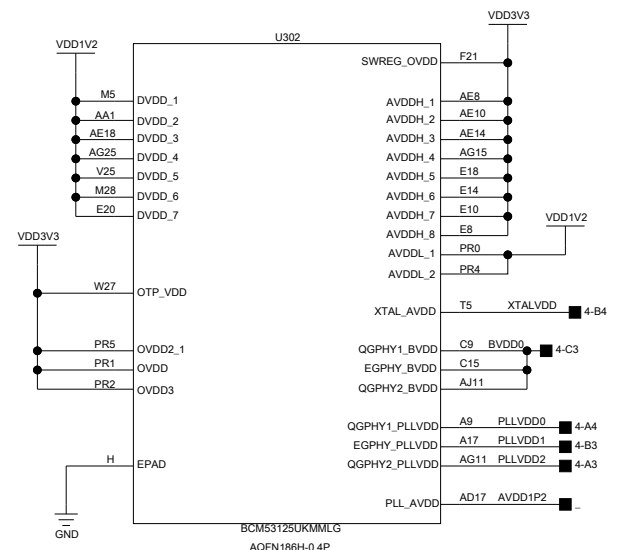
Optional



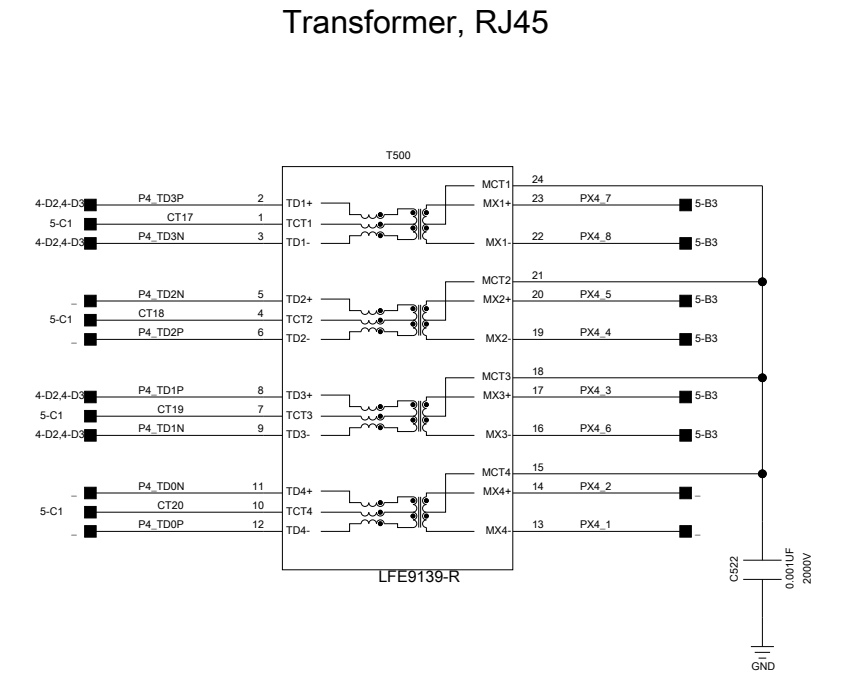
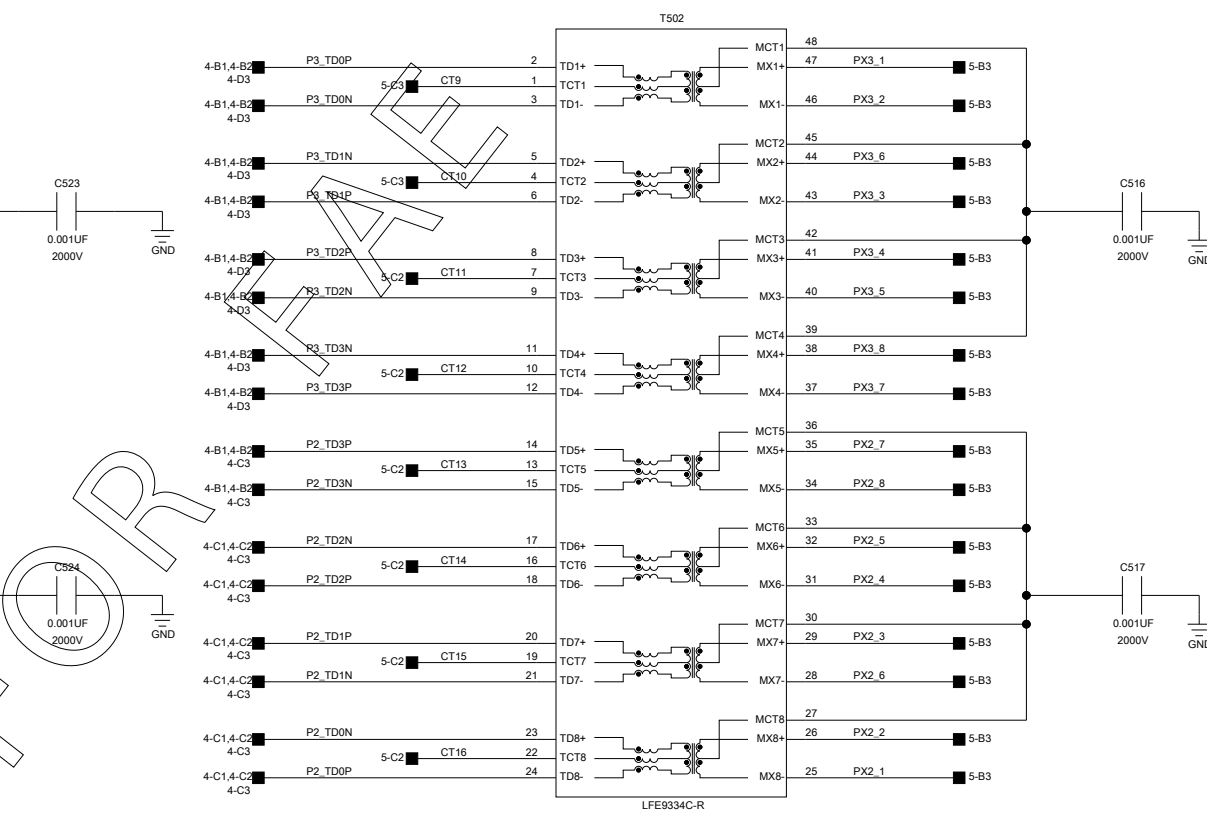
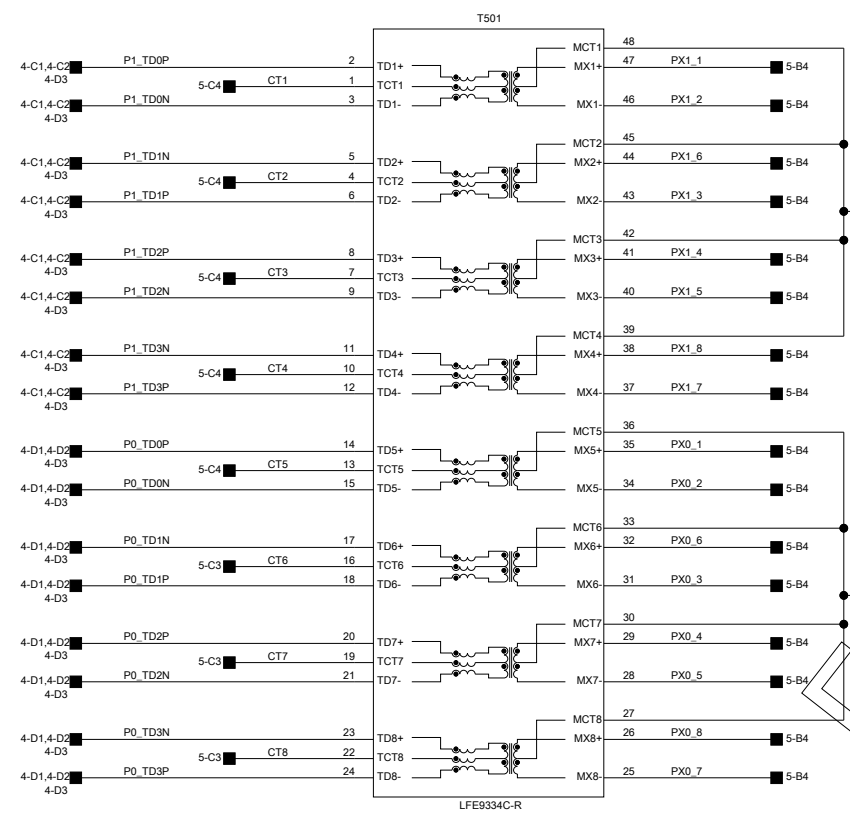
Broadcom

Company Confidential

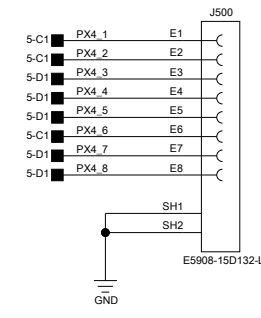
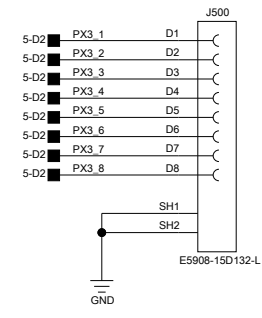
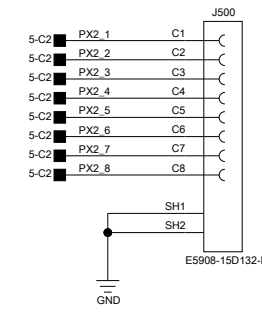
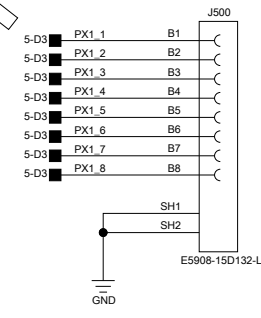
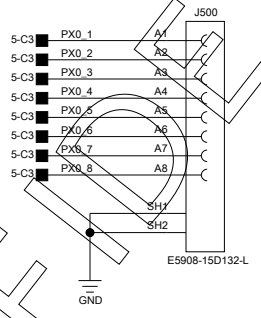
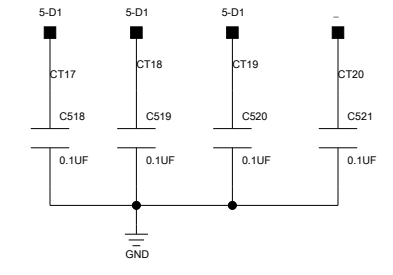
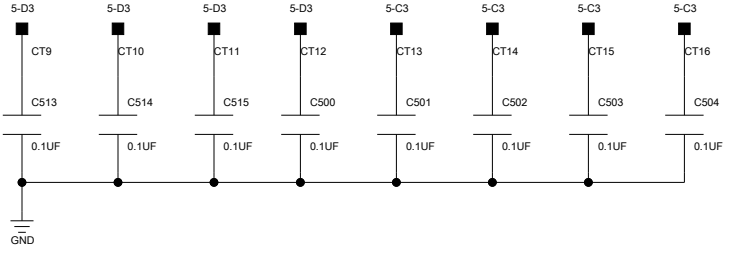
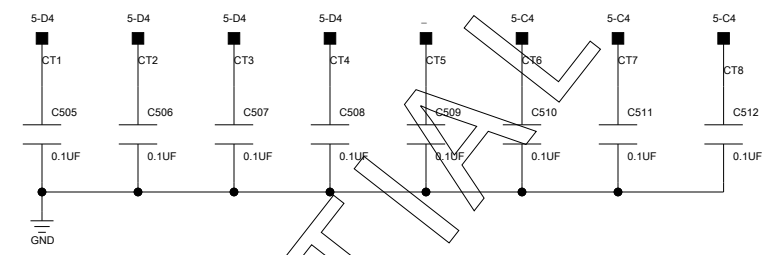
SIZE	TITLE
B	SCHEMATIC - BCM953125R
DATE	9-15-2010_16:07
SHEET	3 OF 6



Broadcom Company Confidential	
SIZE B	TITLE SCHEMATIC - BCM953125R
DATE 9-15-2010_16:07	SHEET 4 OF 6



Transformer, RJ45



CONFIDENTIAL

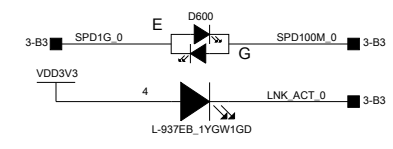
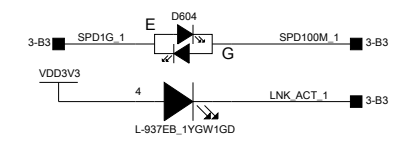
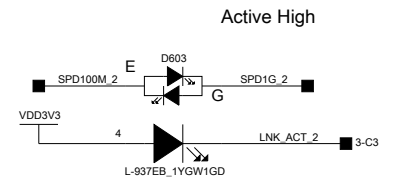
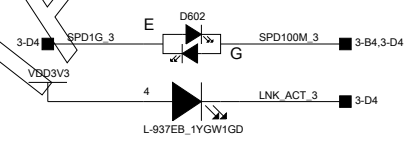
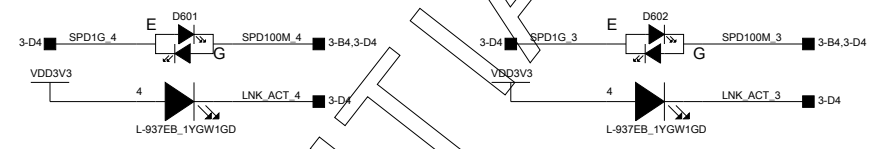
Broadcom

Company Confidential

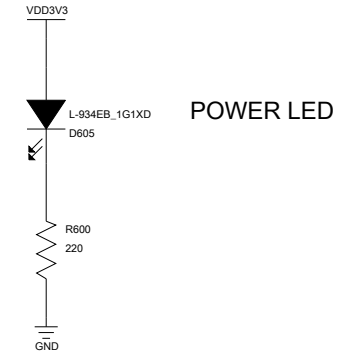
SIZE	TITLE
B	SCHEMATIC - BCM9XXXX
DATE	1-22-2010_15:08
SHEET	5 OF 6

CONFIDENTIAL FOR FAE

CONFIDENTIAL



SPEED
LNK/ACT



Broadcom

Company Confidential

SIZE	TITLE	
B	SCHEMATIC - BCM9XXXX	
DATE	1-22-2010_15:08	SHEET 6 OF 6