

6

5

4

3

2

1

REVISION RECORD			
LTR	ECO NO:	APPROVED:	DATE:

TABLE OF CONTENTS:

TABLE OF CONTENTS	SHEET #1
SW_8x1G	#2
SW_4x2.5/1G+_2x10G	#3
SW_AUX_1	#4
SW_AUX_2	#5
SW_PWR	#6
SW_GND	#7
MCU_RESET	#8
10GPHY_SERDES_MDI	#9
10GPHY_AUX	#10
10GPHY_PWR	#11
10GPHY_GND	#12
4x1G_MDI_SGMII	#13
4x1G_AUX	#14
4x1G_PWR_GND	#15
PWR	#16
CONNECTORS	#17

COMPANY:				<Company Name>			
TITLE:				10G Switch			
DRAWN: <Drawn By>	DATED: <Drawn Date>	CODE:	SIZE:	DRAWING NO:		REV:	
CHECKED: <Checked By>	DATED: <Checked Date>	<Code>	B	<Drawing Number>		1	
QUALITY CONTROL: <QC By>	DATED: <QC Date>	SCALE: <Scale>		SHEET: 1 of 17			
RELEASED: <Released By>	DATED: <Release Date>						

D

D

C

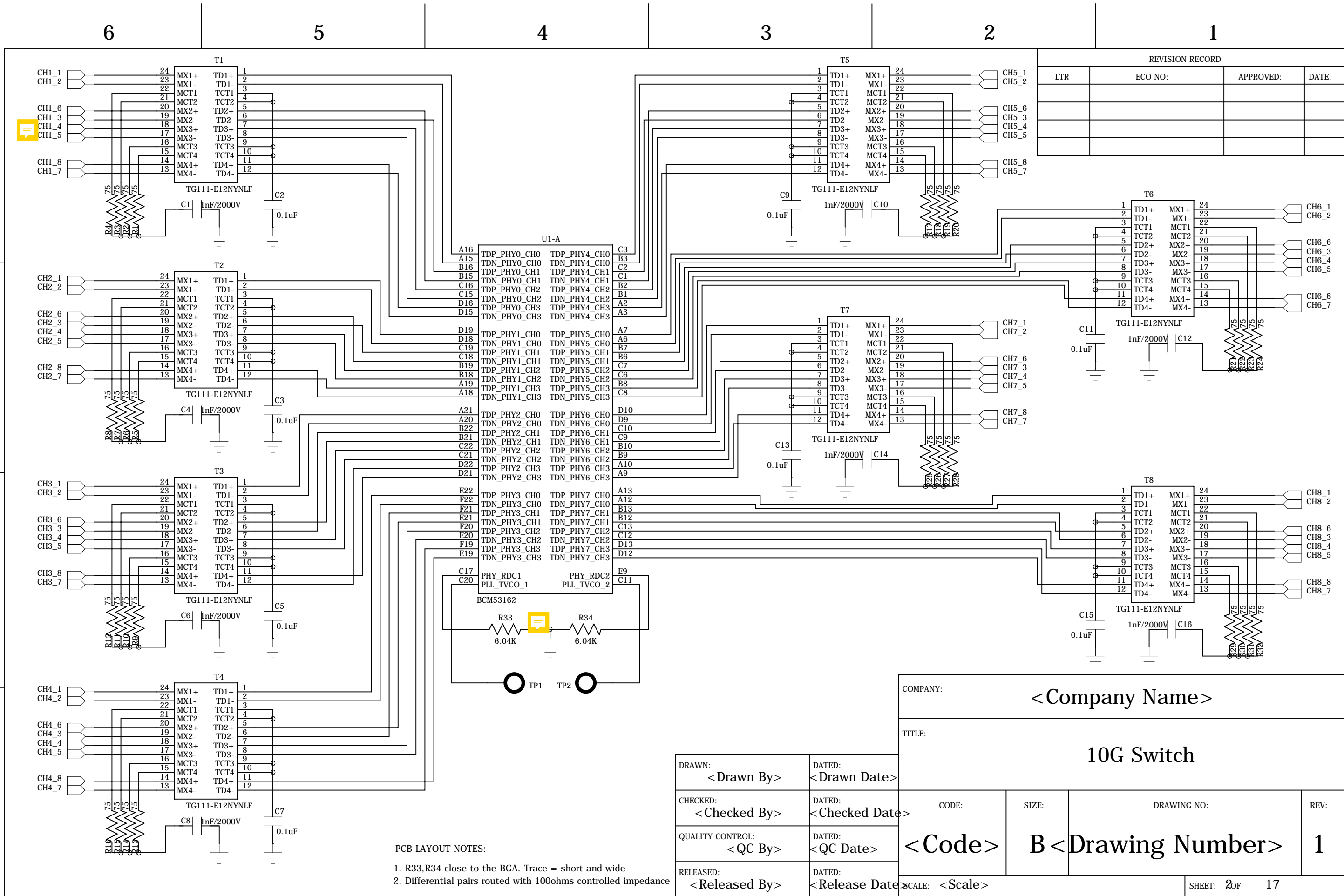
C

B

B

A

A



REVISION RECORD

LTR	ECO NO:	APPROVED:	DATE:

- PCB LAYOUT NOTES:
1. R33,R34 close to the BGA. Trace = short and wide
  2. Differential pairs routed with 100ohms controlled impedance

COMPANY: <Company Name>

TITLE: 10G Switch

DRAWN: <Drawn By>	DATED: <Drawn Date>	CODE:	SIZE:	DRAWING NO:	REV:
CHECKED: <Checked By>	DATED: <Checked Date>	<Code>	B	<Drawing Number>	1
QUALITY CONTROL: <QC By>	DATED: <QC Date>	SCALE: <Scale>		SHEET: 20F	17
RELEASED: <Released By>	DATED: <Release Date>				

6

5

4

3

2

1

REVISION RECORD			
LTR	ECO NO:	APPROVED:	DATE:

D

D

C

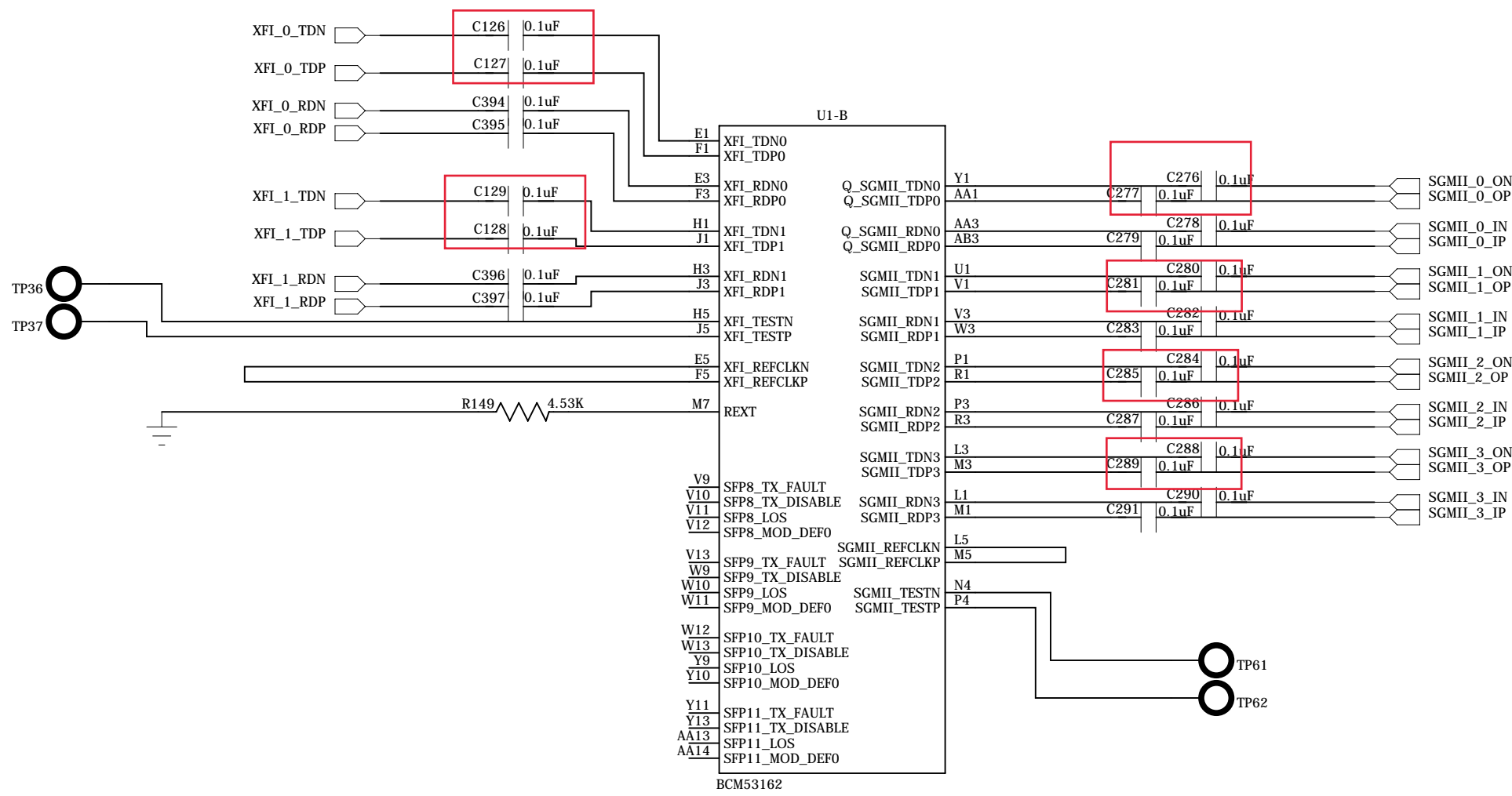
C

B

B

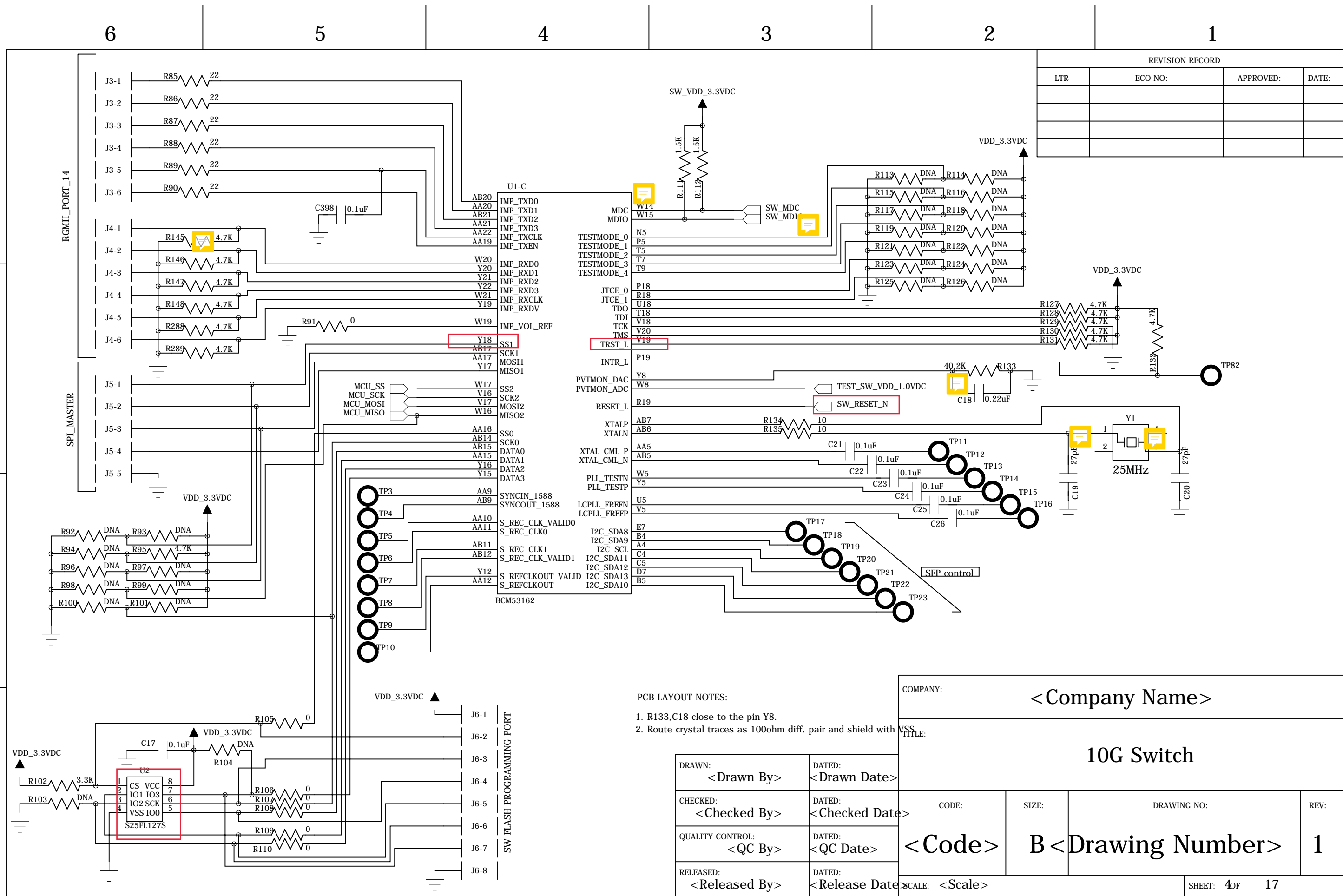
A

A



NOTES:  
 R149 as close as possible to the SW pin  
 XFI TX pairs routed as 90ohms diff  
 XFI RX pairs routed as 95ohms diff

COMPANY: <Company Name>			
TITLE: 10G Switch			
DRAWN: <Drawn By>	DATED: <Drawn Date>	CODE: <Code>	REV: 1
CHECKED: <Checked By>	DATED: <Checked Date>	SIZE: B	DRAWING NO: <Drawing Number>
QUALITY CONTROL: <QC By>	DATED: <QC Date>	SHEET: 3 of 17	
RELEASED: <Released By>	DATED: <Release Date>	SCALE: <Scale>	



REVISION RECORD			
LTR	ECO NO:	APPROVED:	DATE:

PCB LAYOUT NOTES:

1. R133,C18 close to the pin Y8.
2. Route crystal traces as 100ohm diff. pair and shield with VSS.

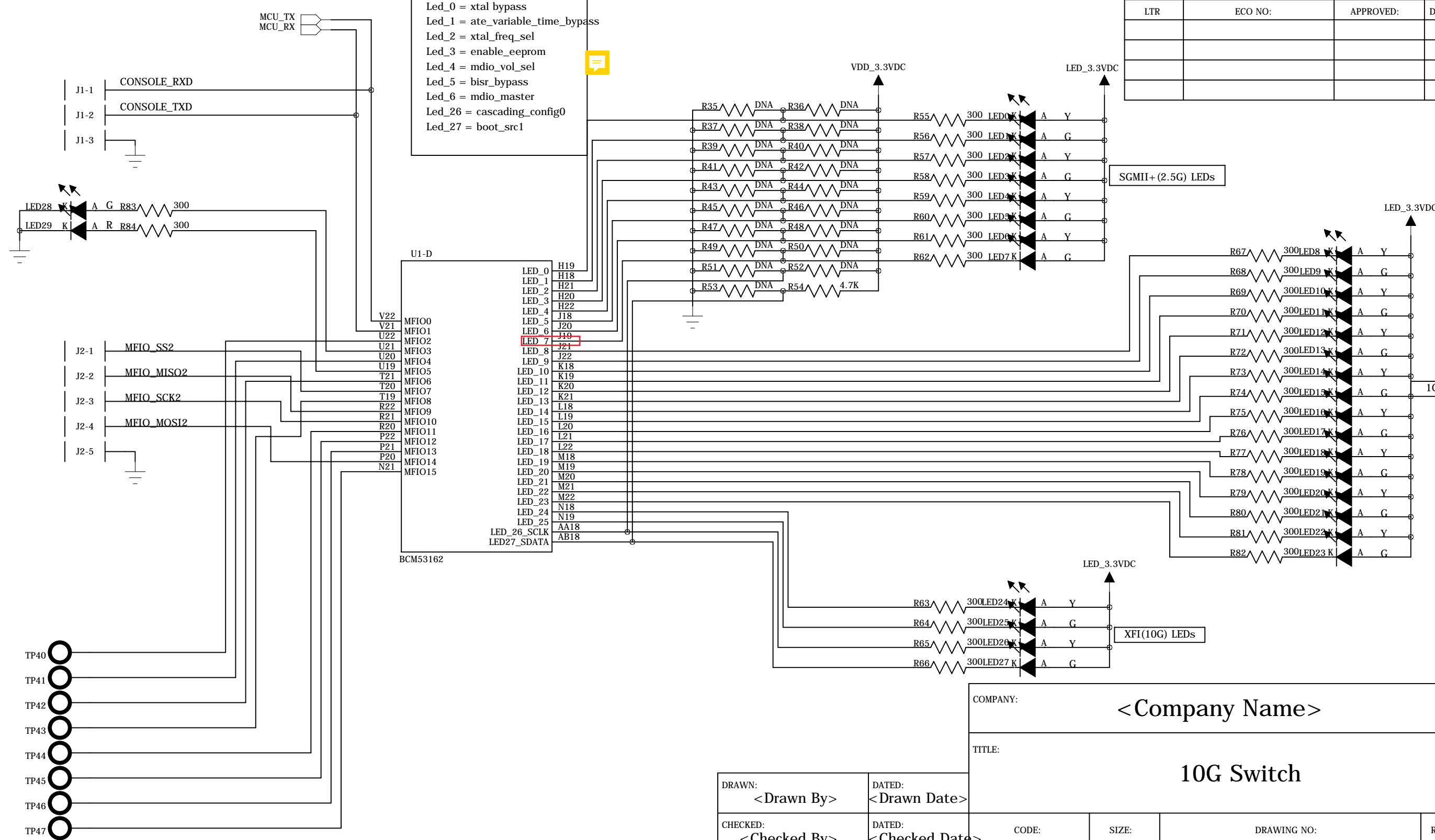
DRAWN: <Drawn By>	DATED: <Drawn Date>
CHECKED: <Checked By>	DATED: <Checked Date>
QUALITY CONTROL: <QC By>	DATED: <QC Date>
RELEASED: <Released By>	DATED: <Release Date>

COMPANY: <Company Name>			
TITLE: 10G Switch			
CODE: <Code>	SIZE: B	DRAWING NO: <Drawing Number>	REV: 1
SCALE: <Scale>		SHEET: 4 of 17	

6 5 4 3 2 1

Strap ID:  
 Led\_0 = xtal bypass  
 Led\_1 = ate\_variable\_time\_bypass  
 Led\_2 = xtal\_freq\_sel  
 Led\_3 = enable\_eeprom  
 Led\_4 = mdio\_vol\_sel  
 Led\_5 = bisr\_bypass  
 Led\_6 = mdio\_master  
 Led\_26 = cascading\_config0  
 Led\_27 = boot\_src1

REVISION RECORD			
LTR	ECO NO:	APPROVED:	DATE:



COMPANY: <Company Name>

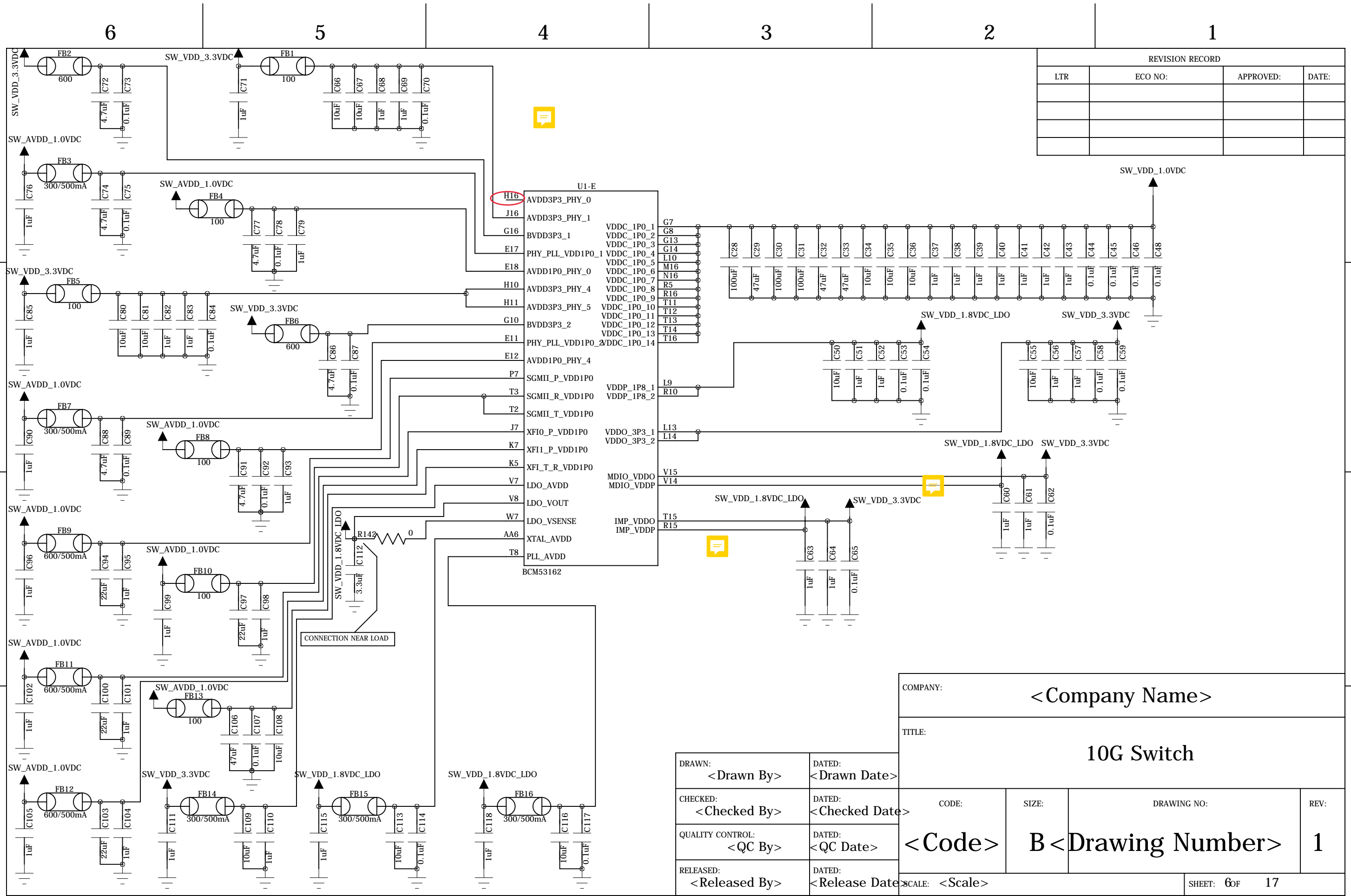
TITLE: 10G Switch

DRAWN: <Drawn By>	DATED: <Drawn Date>
CHECKED: <Checked By>	DATED: <Checked Date>
QUALITY CONTROL: <QC By>	DATED: <QC Date>
RELEASED: <Released By>	DATED: <Release Date>

CODE: <Code>	SIZE: B	DRAWING NO: <Drawing Number>	REV: 1
SCALE: <Scale>			SHEET: 5 OF 17

D  
C  
B  
A

D  
C  
B  
A



REVISION RECORD			
LTR	ECO NO:	APPROVED:	DATE:

COMPANY: <Company Name>				
TITLE: 10G Switch				
DRAWN: <Drawn By>	DATED: <Drawn Date>	CODE: <Code>	SIZE: B <Drawing Number>	REV: 1
CHECKED: <Checked By>	DATED: <Checked Date>	QUALITY CONTROL: <QC By>	DATED: <QC Date>	RELEASED: <Released By>
SCALE: <Scale>		SHEET: 6 OF 17		

6

5

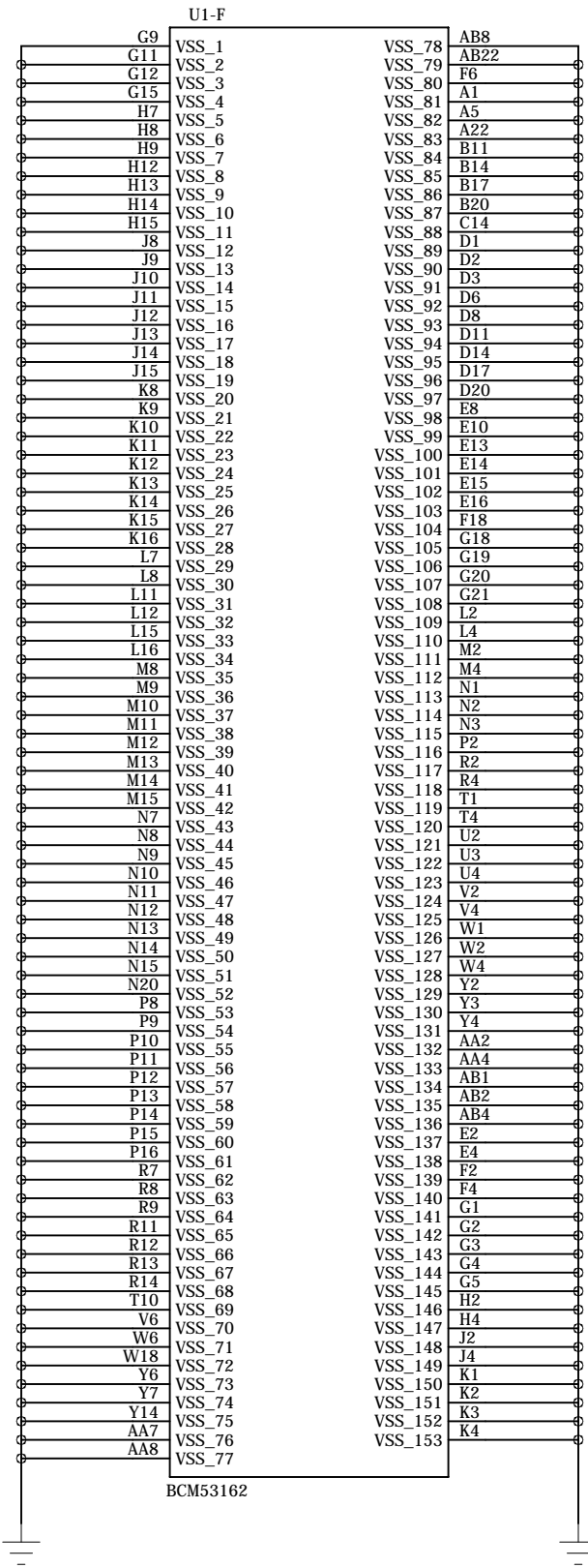
4

3

2

1

REVISION RECORD			
LTR	ECO NO:	APPROVED:	DATE:



D

D

C

C

B

B

A

A

COMPANY:				<Company Name>			
TITLE:				10G Switch			
DRAWN:	<Drawn By>	DATED:	<Drawn Date>	CODE:	SIZE:	DRAWING NO:	REV:
CHECKED:	<Checked By>	DATED:	<Checked Date>	<Code>	B	<Drawing Number>	1
QUALITY CONTROL:	<QC By>	DATED:	<QC Date>	SCALE: <Scale>			SHEET: 7 of 17
RELEASED:	<Released By>	DATED:	<Release Date>				

DRAWN:	<Drawn By>	DATED:	<Drawn Date>
CHECKED:	<Checked By>	DATED:	<Checked Date>
QUALITY CONTROL:	<QC By>	DATED:	<QC Date>
RELEASED:	<Released By>	DATED:	<Release Date>

6

5

4

3

2

1

D

C

B

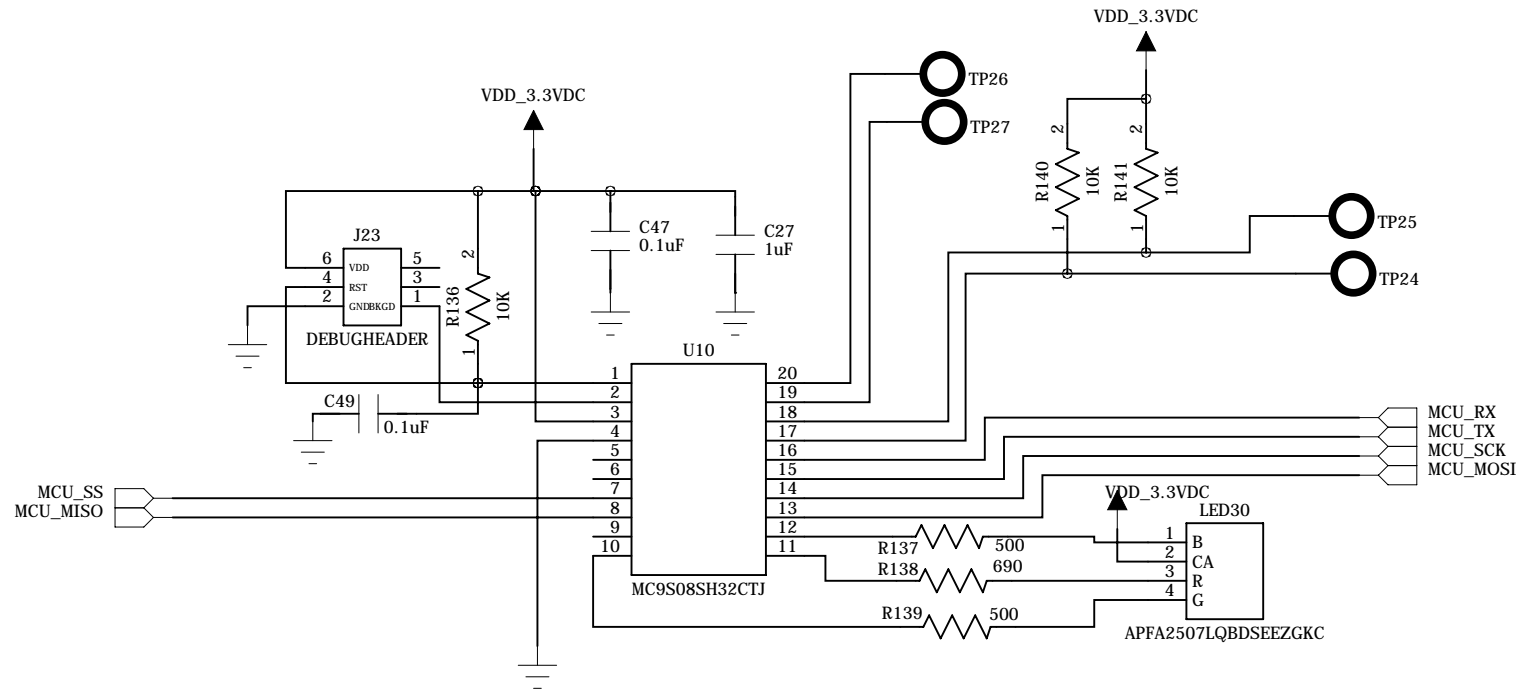
A

D

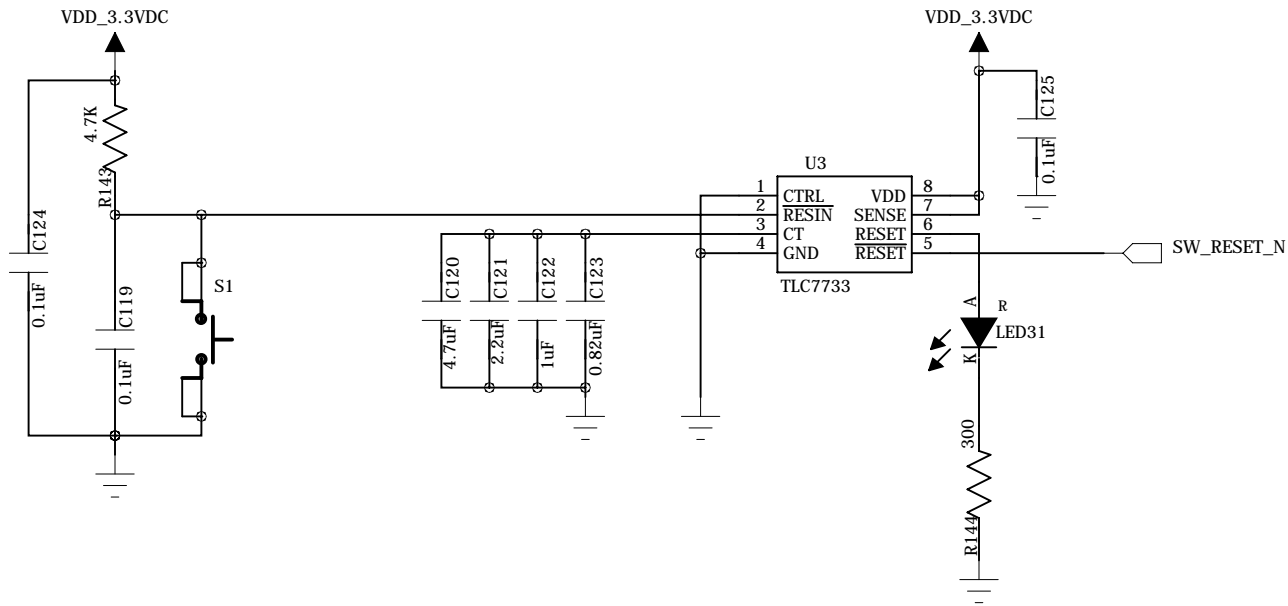
C

B

A



REVISION RECORD			
LTR	ECO NO:	APPROVED:	DATE:



COMPANY:				<Company Name>			
TITLE:				10G Switch			
DRAWN:	<Drawn By>	DATED:	<Drawn Date>	CODE:	SIZE:	DRAWING NO:	REV:
CHECKED:	<Checked By>	DATED:	<Checked Date>	<Code>	B	<Drawing Number>	1
QUALITY CONTROL:	<QC By>	DATED:	<QC Date>	SCALE: <Scale>		SHEET: 8 OF 17	
RELEASED:	<Released By>	DATED:	<Release Date>				



6

5

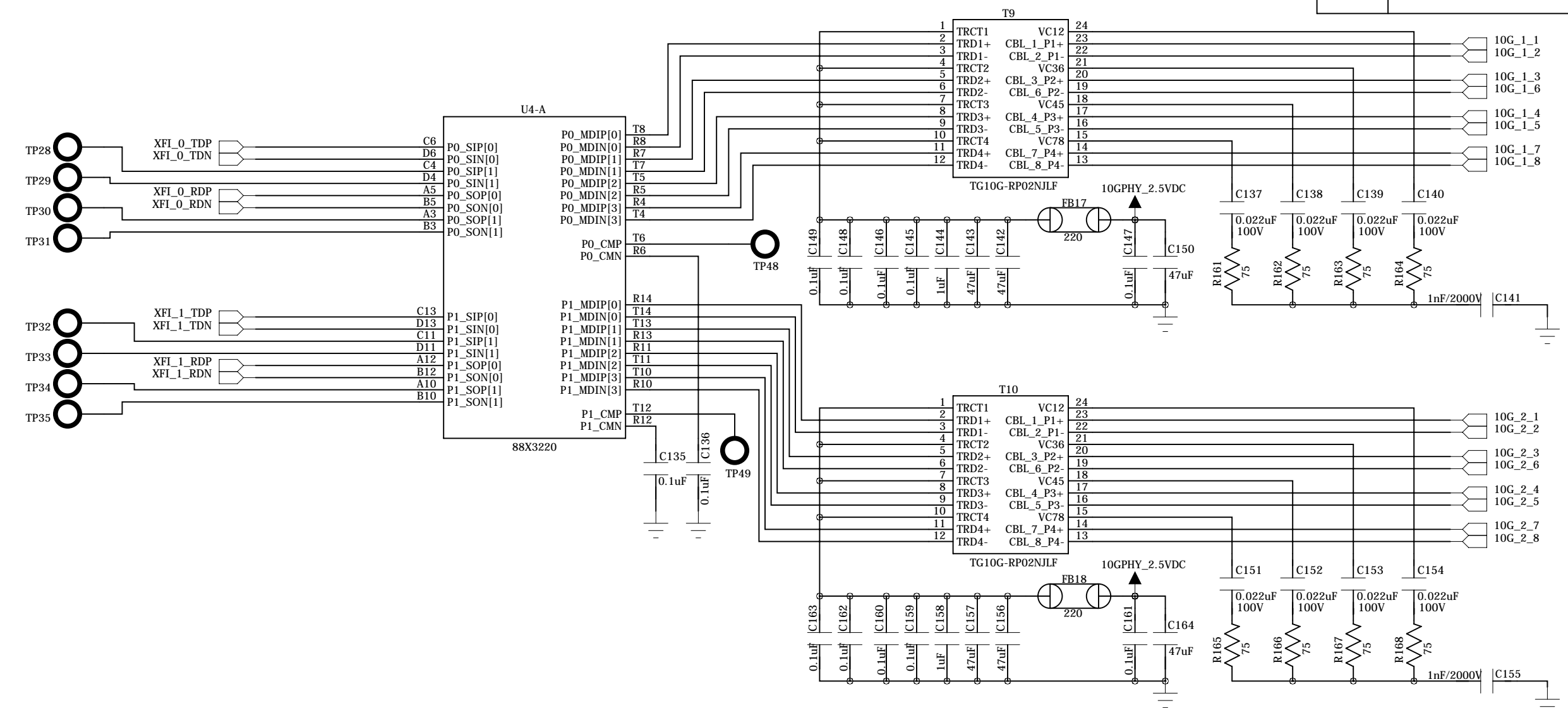
4

3

2

1

REVISION RECORD			
LTR	ECO NO:	APPROVED:	DATE:



COMPANY: <Company Name>

TITLE: 10G Switch

DRAWN: <Drawn By>	DATED: <Drawn Date>
CHECKED: <Checked By>	DATED: <Checked Date>
QUALITY CONTROL: <QC By>	DATED: <QC Date>
RELEASED: <Released By>	DATED: <Release Date>

CODE: <Code>	SIZE: B	DRAWING NO: <Drawing Number>	REV: 1
SCALE: <Scale>			SHEET: 9 of 17

D

D

C

C

B

B

A

A

6

5

4

3

2

1

REVISION RECORD			
LTR	ECO NO:	APPROVED:	DATE:

D

D

C

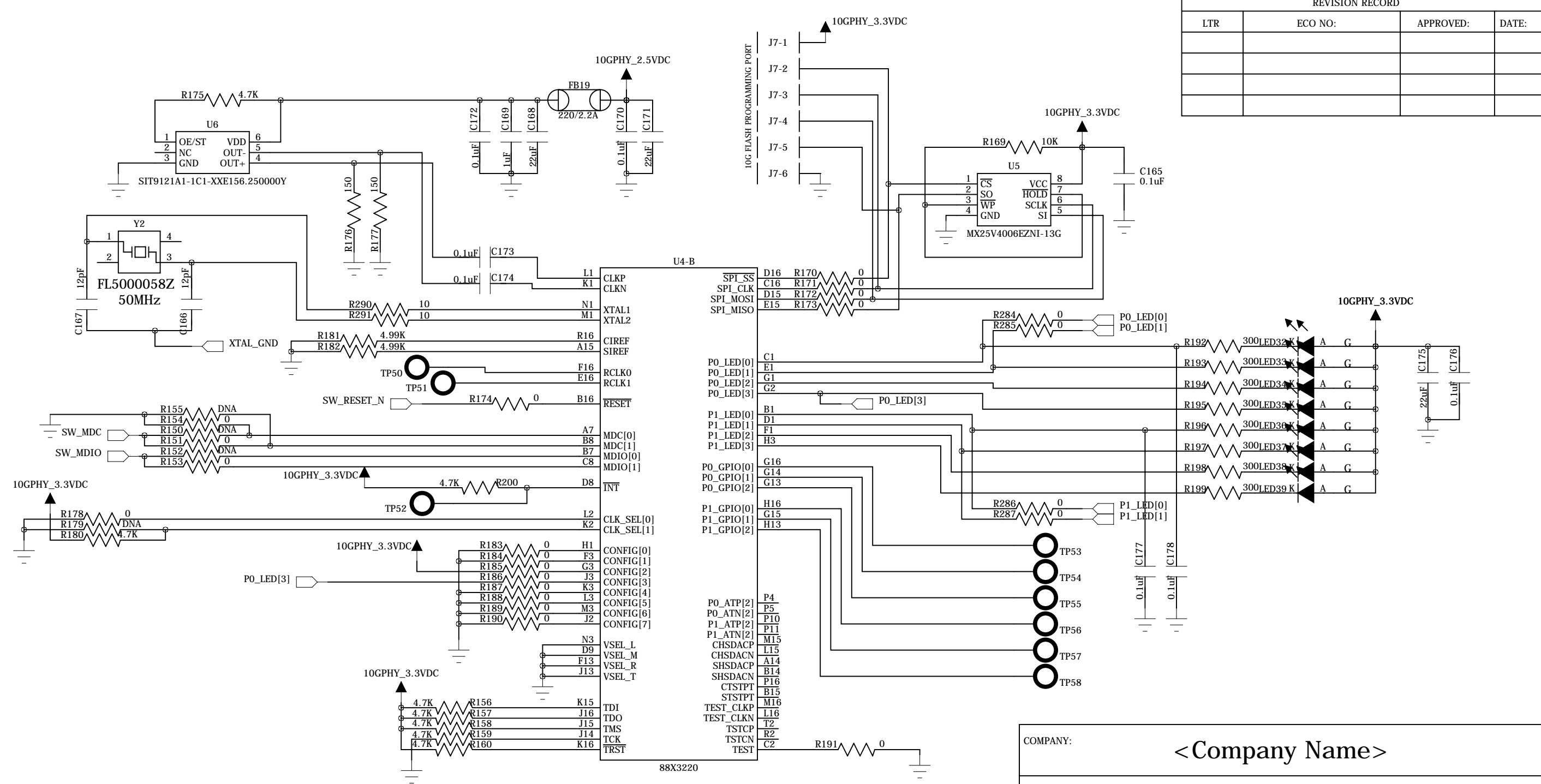
C

B

B

A

A



COMPANY: <Company Name>

TITLE: 10G Switch

DRAWN: <Drawn By>	DATED: <Drawn Date>
CHECKED: <Checked By>	DATED: <Checked Date>
QUALITY CONTROL: <QC By>	DATED: <QC Date>
RELEASED: <Released By>	DATED: <Release Date>

CODE:	SIZE:	DRAWING NO:	REV:
<Code>	B	<Drawing Number>	1
SCALE: <Scale>		SHEET: 10f 17	

6

5

4

3

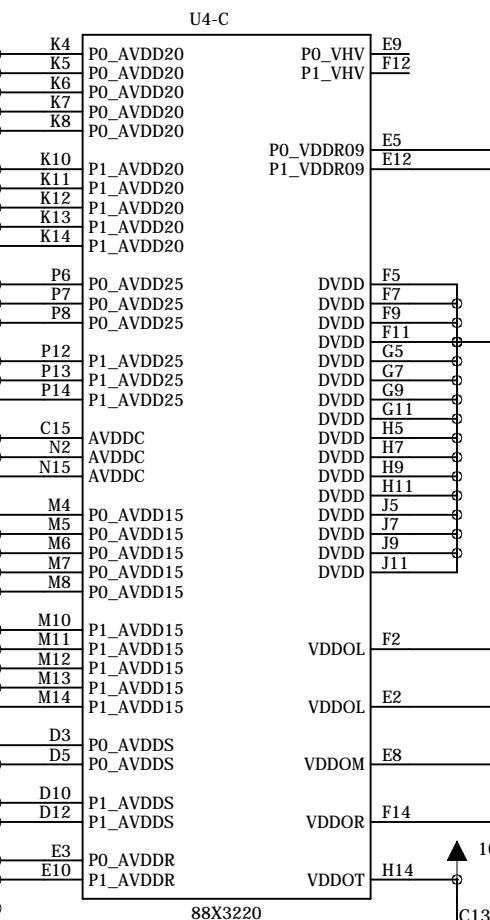
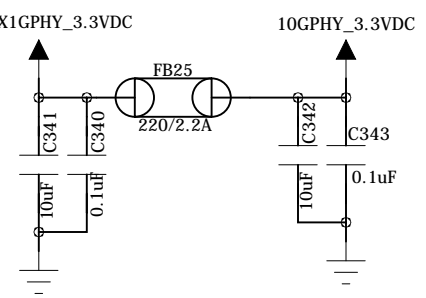
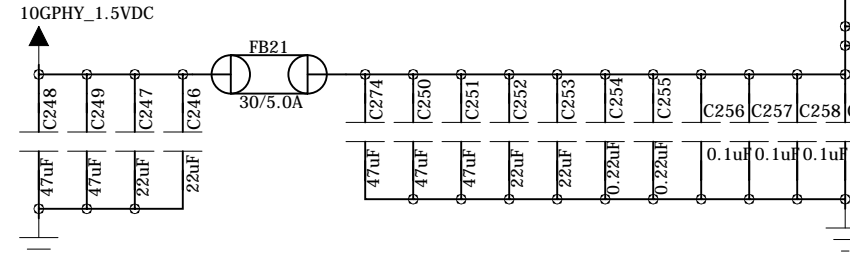
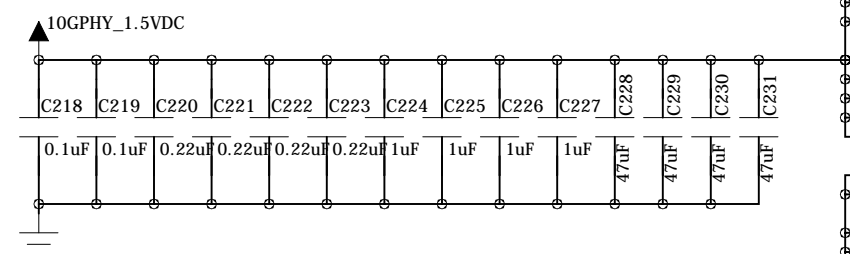
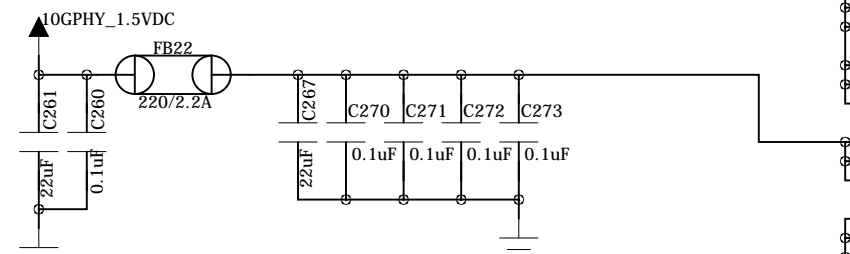
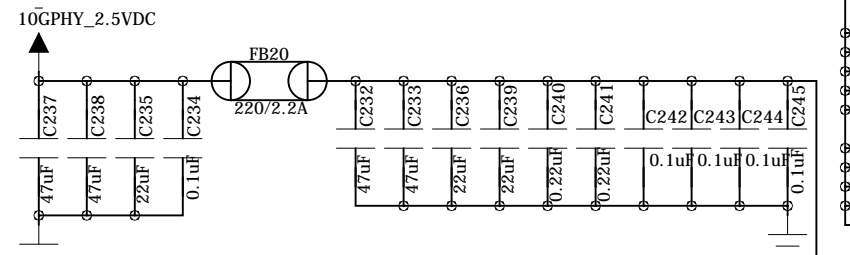
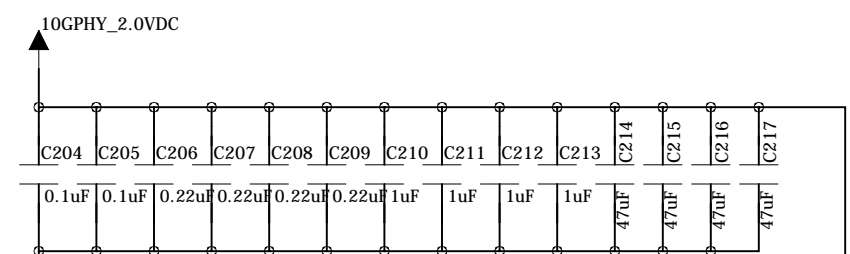
2

1

REVISION RECORD			
LTR	ECO NO:	APPROVED:	DATE:

D

D



C

C

B

B

A

A

88X3220

COMPANY: <Company Name>			
TITLE: 10G Switch			
DRAWN: <Drawn By>	DATED: <Drawn Date>	CODE: <Code>	SIZE: B
CHECKED: <Checked By>	DATED: <Checked Date>	DRAWING NO: <Drawing Number>	
QUALITY CONTROL: <QC By>	DATED: <QC Date>	REV: 1	
RELEASED: <Released By>	DATED: <Release Date>	SCALE: <Scale>	
SHEET: 1 of 17			

6

5

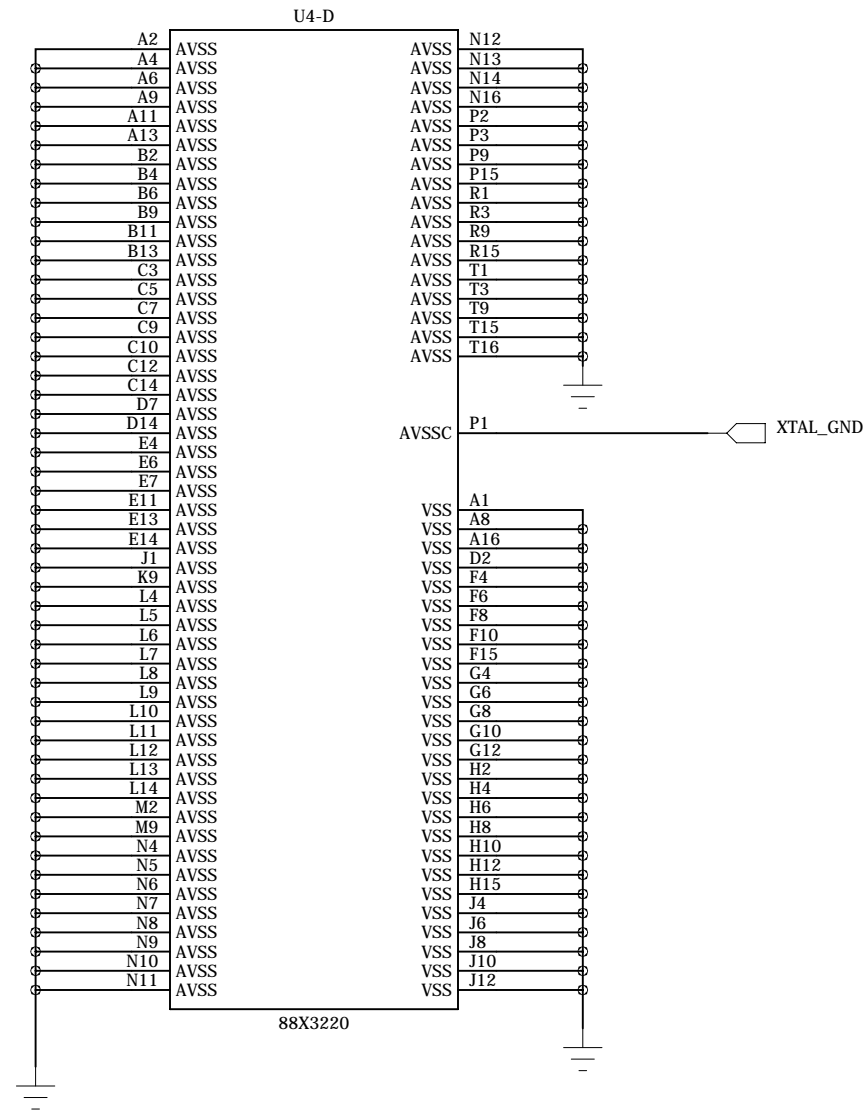
4

3

2

1

REVISION RECORD			
LTR	ECO NO:	APPROVED:	DATE:



COMPANY:				<Company Name>			
TITLE:				10G Switch			
DRAWN:	<Drawn By>	DATED:	<Drawn Date>	CODE:	SIZE:	DRAWING NO:	REV:
CHECKED:	<Checked By>	DATED:	<Checked Date>	<Code>	B	<Drawing Number>	1
QUALITY CONTROL:	<QC By>	DATED:	<QC Date>	SCALE: <Scale>		SHEET: 1 of 17	
RELEASED:	<Released By>	DATED:	<Release Date>				

D

D

C

C

B

B

A

A

6

5

4

3

2

1

D

C

B

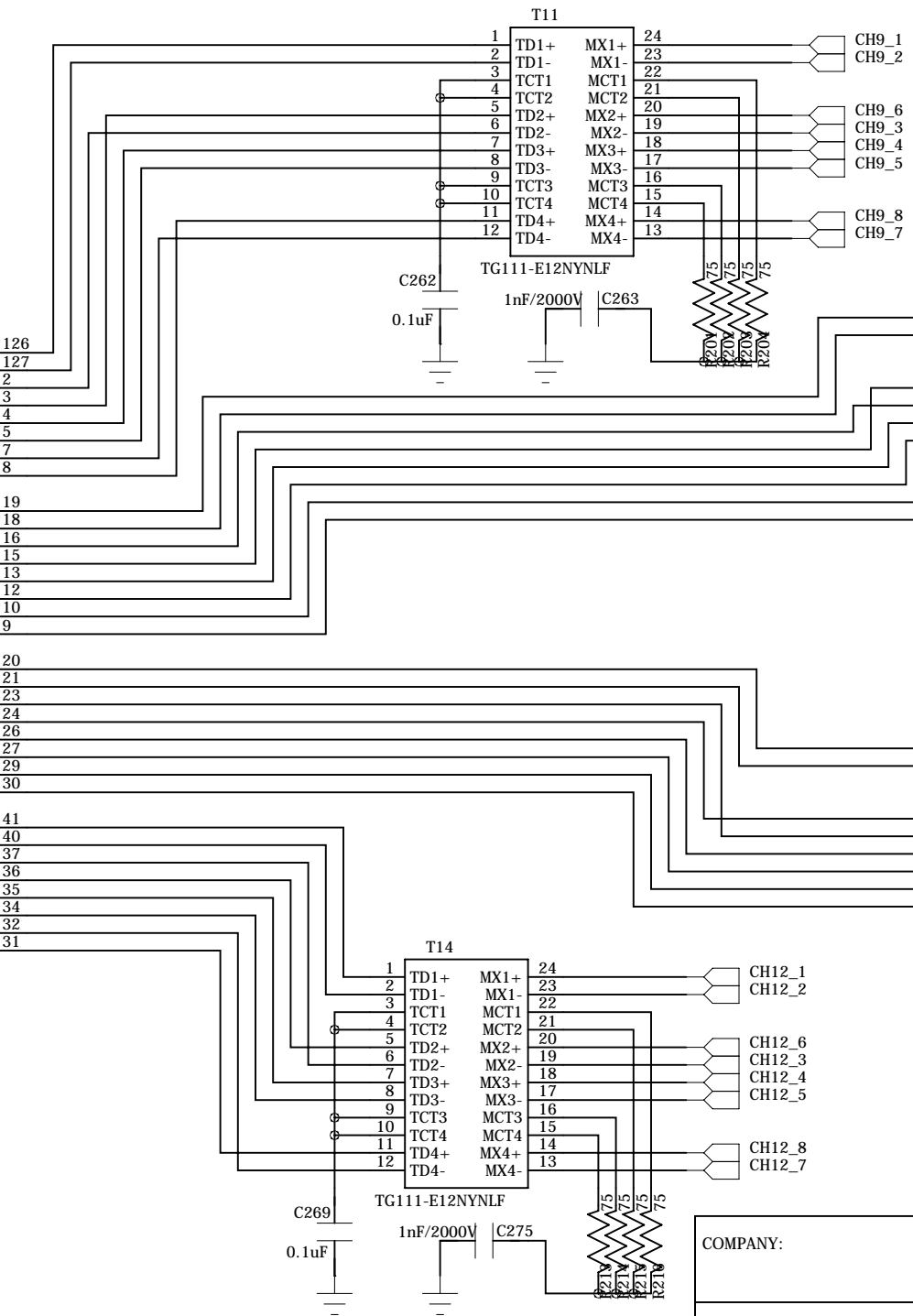
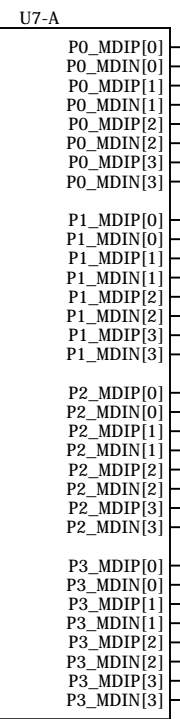
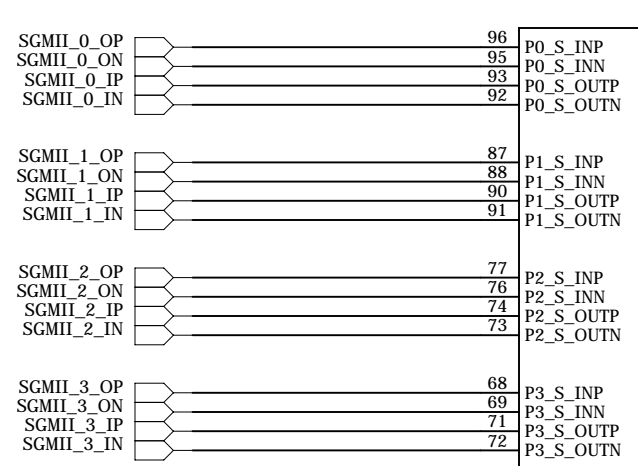
A

D

C

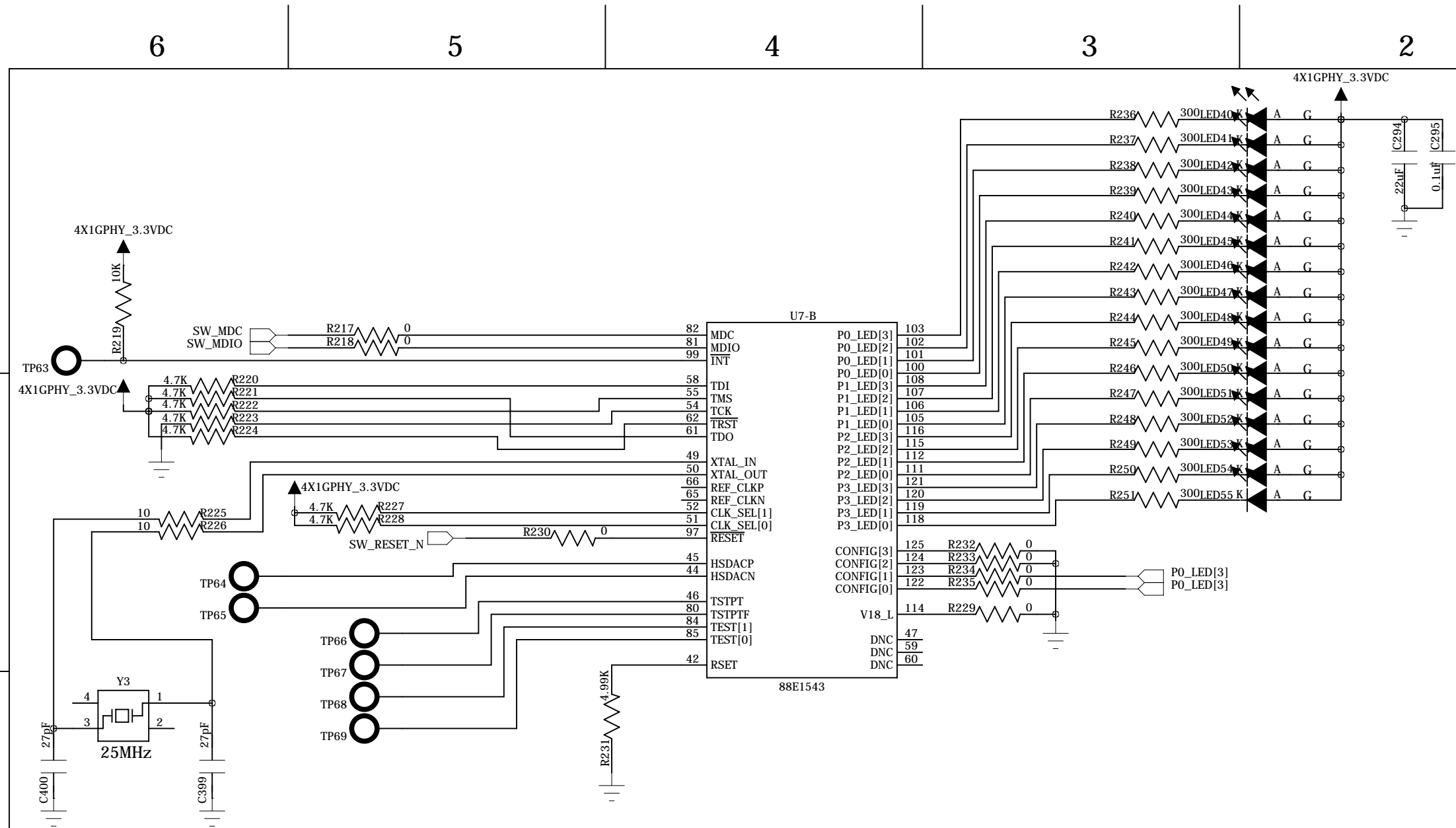
B

A



REVISION RECORD			
LTR	ECO NO:	APPROVED:	DATE:

COMPANY: <Company Name>			
TITLE: 10G Switch			
DRAWN: <Drawn By>	DATED: <Drawn Date>	CODE: <Code>	SIZE: B
CHECKED: <Checked By>	DATED: <Checked Date>	DRAWING NO: <Drawing Number>	
QUALITY CONTROL: <QC By>	DATED: <QC Date>	REV: 1	
RELEASED: <Released By>	DATED: <Release Date>	SCALE: <Scale>	SHEET: 18 of 17



REVISION RECORD			
LTR	ECO NO:	APPROVED:	DATE:

COMPANY: <Company Name>			
TITLE: 10G Switch			
DRAWN: <Drawn By>	DATED: <Drawn Date>	CODE: <Code>	SIZE: B
CHECKED: <Checked By>	DATED: <Checked Date>	DRAWING NO: <Drawing Number>	
QUALITY CONTROL: <QC By>	DATED: <QC Date>	REV: 1	
RELEASED: <Released By>	DATED: <Release Date>	SCALE: <Scale>	
SHEET: 14			17

6

5

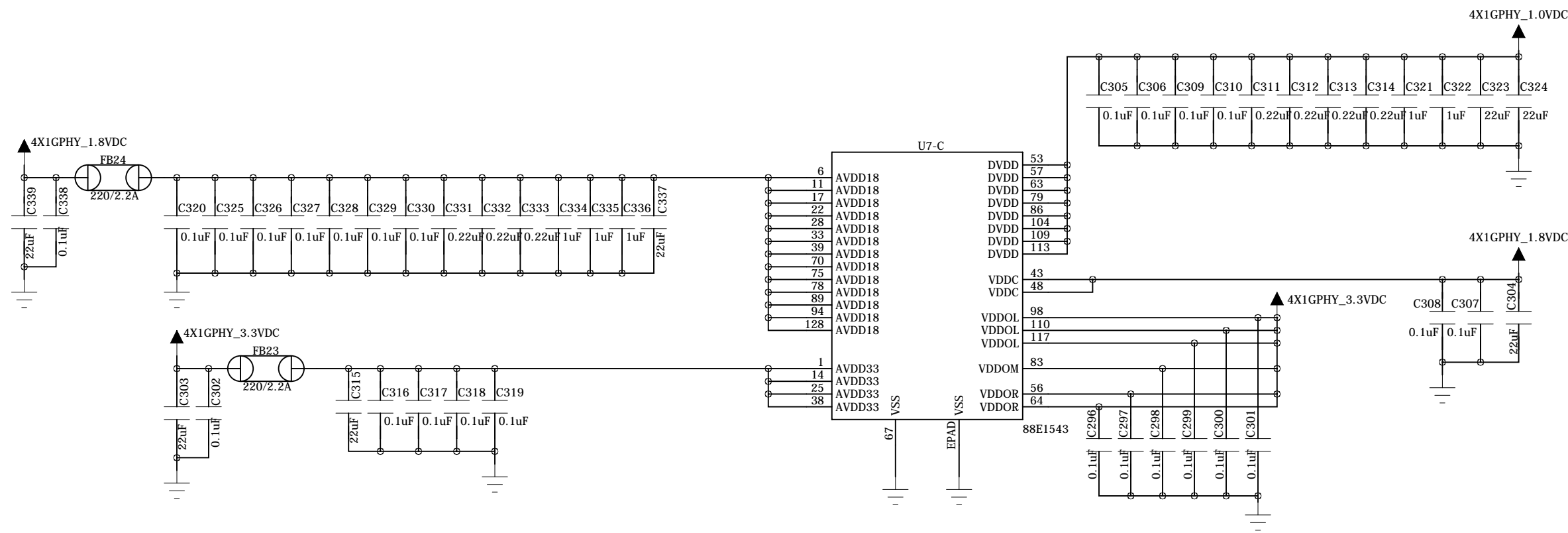
4

3

2

1

REVISION RECORD			
LTR	ECO NO:	APPROVED:	DATE:



COMPANY:				<Company Name>			
TITLE:				10G Switch			
DRAWN: <Drawn By>	DATED: <Drawn Date>	CODE:	SIZE:	DRAWING NO:		REV:	
CHECKED: <Checked By>	DATED: <Checked Date>	<Code>	B	<Drawing Number>		1	
QUALITY CONTROL: <QC By>	DATED: <QC Date>	SCALE: <Scale>		SHEET: 15F		17	
RELEASED: <Released By>	DATED: <Release Date>						

D

C

B

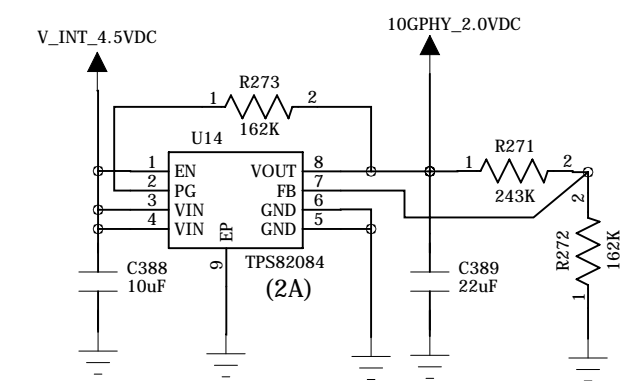
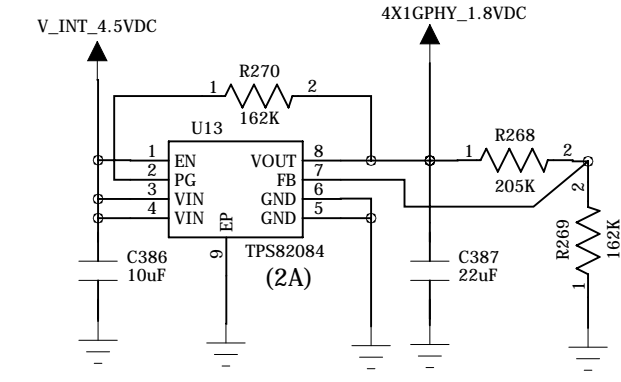
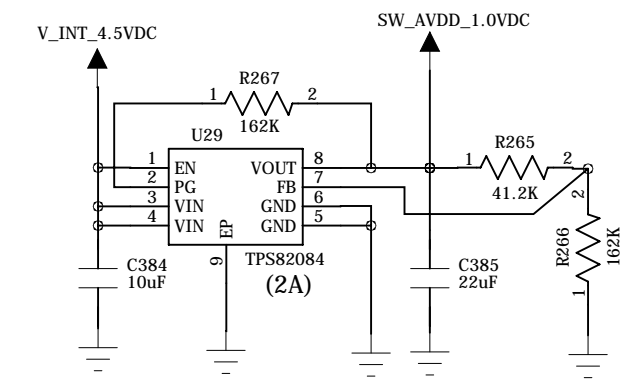
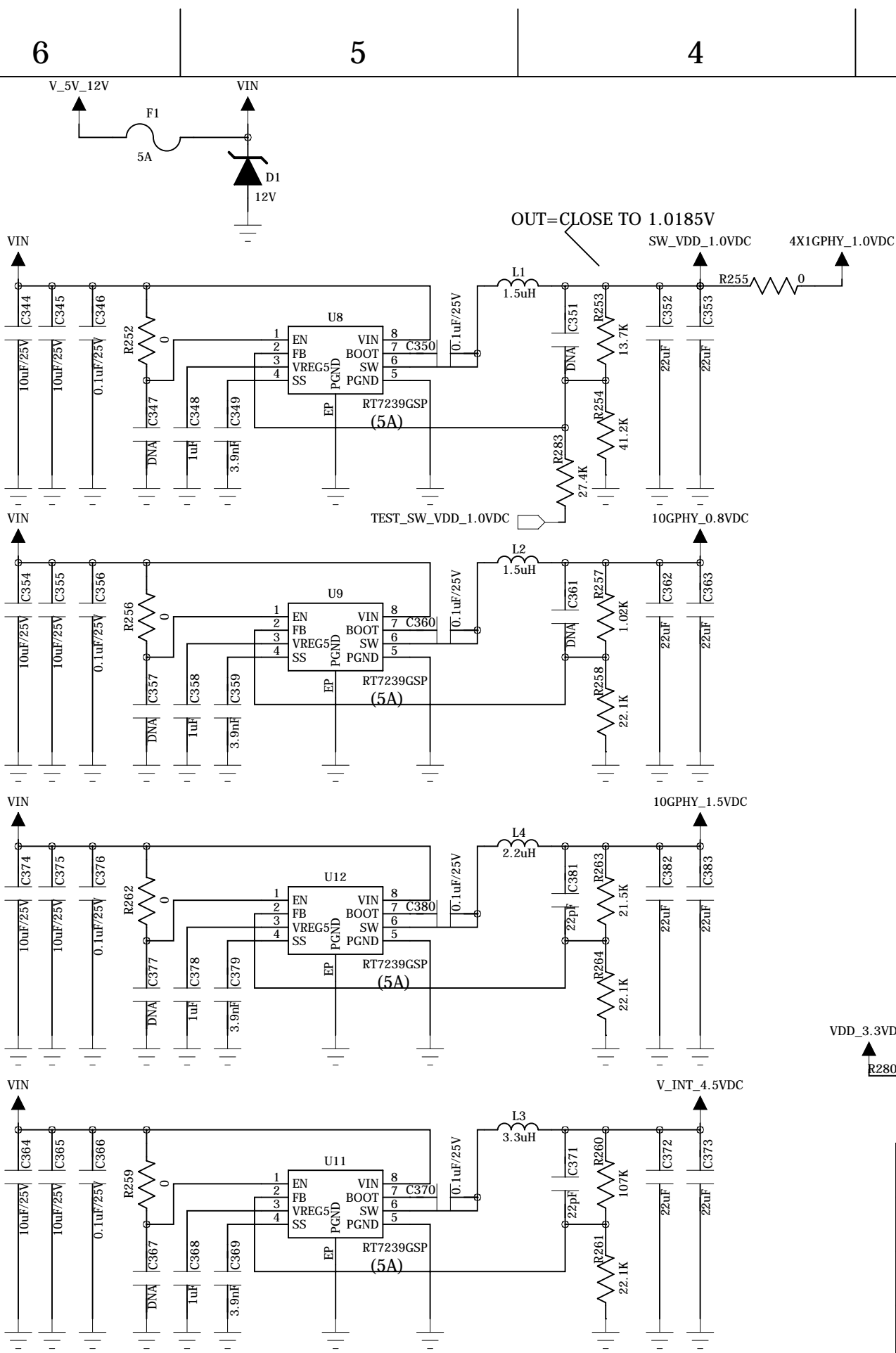
A

D

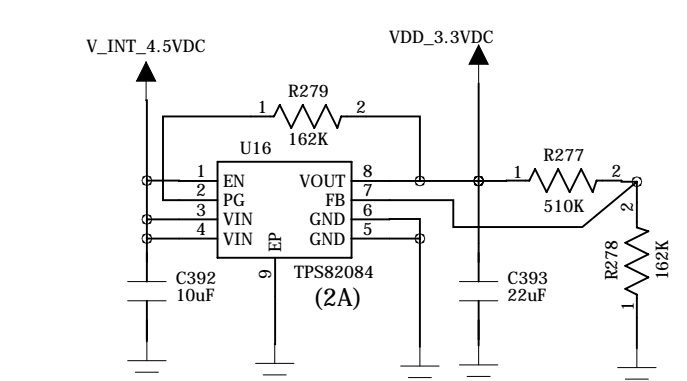
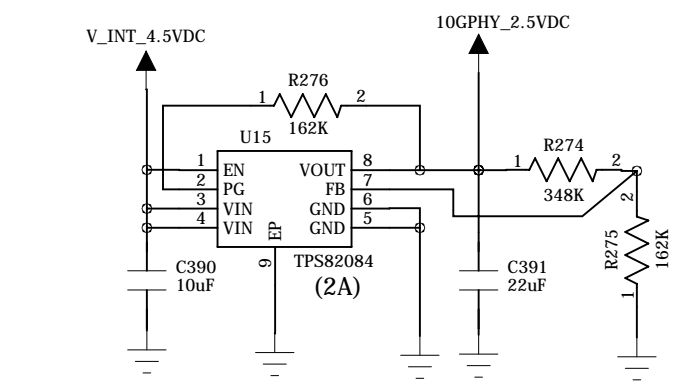
C

B

A



REVISION RECORD			
LTR	ECO NO:	APPROVED:	DATE:



COMPANY: <Company Name>				
TITLE: 10G Switch				
DRAWN: <Drawn By>	DATED: <Drawn Date>	CODE: <Code>	SIZE: B	DRAWING NO: <Drawing Number>
CHECKED: <Checked By>	DATED: <Checked Date>	QUALITY CONTROL: <QC By>	REV: 1	
RELEASED: <Released By>	DATED: <Release Date>	SCALE: <Scale>	SHEET: 16f 17	



6

5

4

3

2

1

REVISION RECORD			
LTR	ECO NO:	APPROVED:	DATE:

D

D

C

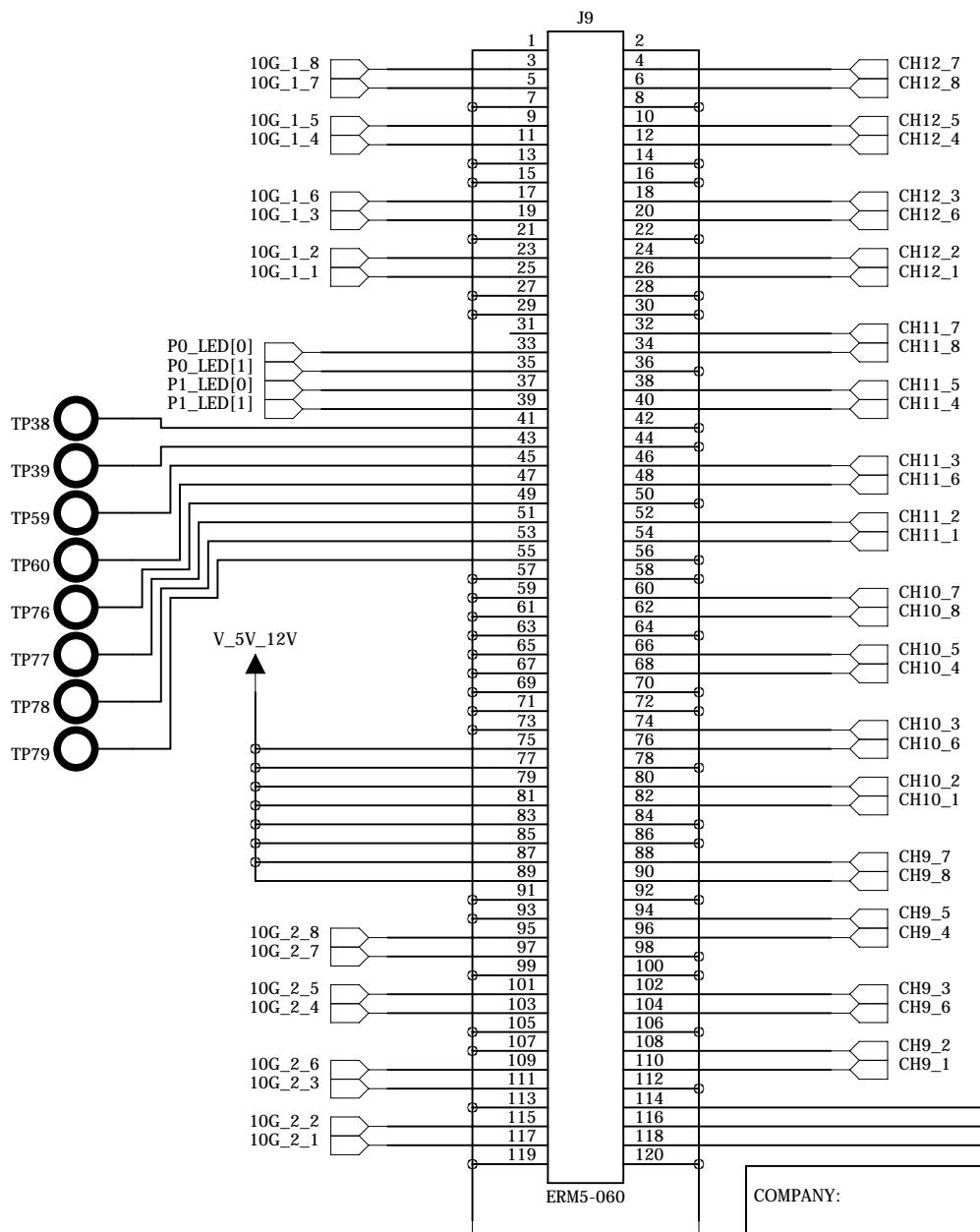
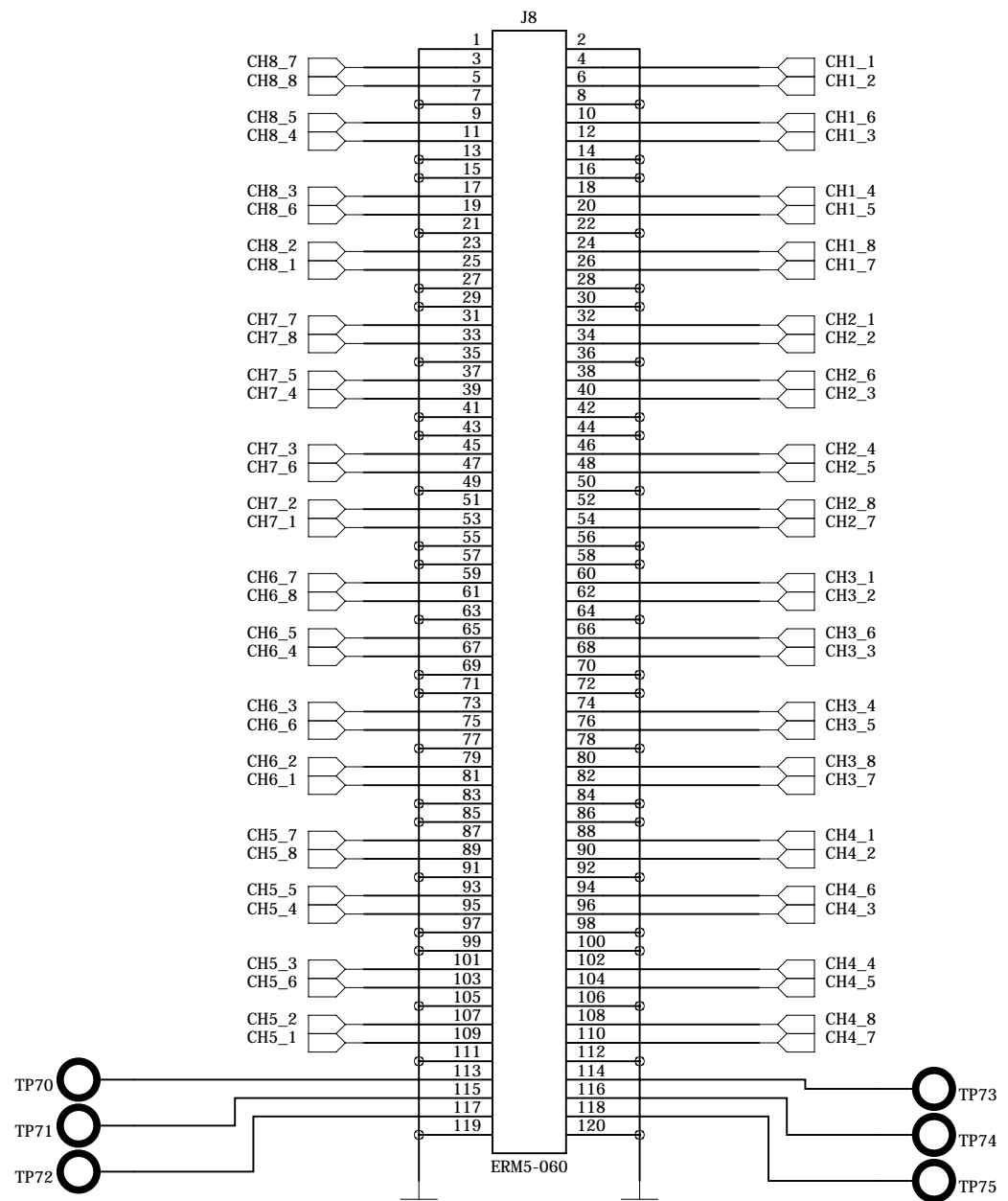
C

B

B

A

A



COMPANY: <Company Name>

TITLE: 10G Switch

DRAWN: <Drawn By>	DATED: <Drawn Date>	CODE:	SIZE:	DRAWING NO:	REV:
CHECKED: <Checked By>	DATED: <Checked Date>	<Code>	B	<Drawing Number>	1
QUALITY CONTROL: <QC By>	DATED: <QC Date>	SCALE: <Scale>		SHEET: 17F 17	
RELEASED: <Released By>	DATED: <Release Date>				