

53-1002576-02
December 2012



Brocade M6505 16 Gbps

Fibre Channel SAN I/O Module

Hardware Reference Manual

Copyright © 2012 Brocade Communications Systems, Inc. All Rights Reserved.

Brocade, Brocade Assurance, the B-wing symbol, BigIron, DCX, Fabric OS, FastIron, MLX, NetIron, SAN Health, ServerIron, TurboIron, VCS, and VDX are registered trademarks, and AnyIO, Brocade One, CloudPlex, Effortless Networking, ICX, NET Health, OpenScript, and The Effortless Network are trademarks of Brocade Communications Systems, Inc., in the United States and/or in other countries. Other brands, products, or service names mentioned may be trademarks of their respective owners.

Notice: This document is for informational purposes only and does not set forth any warranty, expressed or implied, concerning any equipment, equipment feature, or service offered or to be offered by Brocade. Brocade reserves the right to make changes to this document at any time, without notice, and assumes no responsibility for its use. This informational document describes features that may not be currently available. Contact a Brocade sales office for information on feature and product availability. Export of technical data contained in this document may require an export license from the United States government.

The authors and Brocade Communications Systems, Inc. shall have no liability or responsibility to any person or entity with respect to any loss, cost, liability, or damages arising from the information contained in this book or the computer programs that accompany it.

The product described by this document may contain "open source" software covered by the GNU General Public License or other open source license agreements. To find out which open source software is included in Brocade products, view the licensing terms applicable to the open source software, and obtain a copy of the programming source code, please visit <http://www.brocade.com/support/oscd>.

Brocade Communications Systems, Incorporated

Corporate and Latin American Headquarters
Brocade Communications Systems, Inc.
130 Holger Way
San Jose, CA 95134
Tel: 1-408-333-8000
Fax: 1-408-333-8101
E-mail: info@brocade.com

Asia-Pacific Headquarters
Brocade Communications Systems China HK, Ltd.
No. 1 Guanghua Road
Chao Yang District
Units 2718 and 2818
Beijing 100020, China
Tel: +8610 6588 8888
Fax: +8610 6588 9999
E-mail: china-info@brocade.com

European Headquarters
Brocade Communications Switzerland Sàrl
Centre Swissair
Tour B - 4^{ème} étage
29, Route de l'Aéroport
Case Postale 105
CH-1215 Genève 15
Switzerland
Tel: +41 22 799 5640
Fax: +41 22 799 5641
E-mail: emea-info@brocade.com

Asia-Pacific Headquarters
Brocade Communications Systems Co., Ltd. (Shenzhen WFOE)
Citic Plaza
No. 233 Tian He Road North
Unit 1308 - 13th Floor
Guangzhou, China
Tel: +8620 3891 2000
Fax: +8620 3891 2111
E-mail: china-info@brocade.com

Document History

Title	Publication number	Summary of changes	Date
<i>Brocade M6505 16 Gbps Fibre Channel SAN I/O Module Hardware Reference Manual</i>	53-1002576-01	New document	December 2012
<i>Brocade M6505 16 Gbps Fibre Channel SAN I/O Module Hardware Reference Manual</i>	53-1002576-02	Update Data Transmission Ranges table	December 2012

Contents

About This Document

In this chapter	vii
How this document is organized	vii
Document conventions	viii
Text formatting	viii
Command syntax conventions	viii
Notes, cautions, and warnings	ix
Key terms	ix
Notice to the reader	ix
Additional information	x
Brocade resources	x
Other industry resources	x
Product support documents	x
Getting technical help	xi
Document feedback	xii

Chapter 1

Brocade M6505 Product Overview

In this chapter	1
SAN I/O Module overview	1
Operating system support	2
Hardware features and functionality	2
Software features	3
Optional features	4
Ports on Demand	4
ISL trunking groups	5
Access Gateway and Native Fabric modes	5
Access Gateway mode	5
Native Fabric mode	6
Optional Brocade licenses	6
Hardware description	7
SAN I/O Module front panel	7
SAN I/O Module side view	9
SFP+ transceivers	10

Chapter 2	Installing the SAN I/O Module	
	Unpacking the SAN I/O Module	11
	Items included with the SAN I/O Module	11
	System reliability guidelines	12
	Handling static-sensitive devices	12
	Preparing the Blade Server Enclosure for the SAN I/O Module.	12
	Inserting the SAN I/O Module in the Blade Server Enclosure	13
	Handling SFP+ transceivers	15
	Inserting an SFP+ transceiver in the SAN I/O Module port	15
	Cabling guidelines	16
	Data transmission ranges	17
Chapter 3	Configuring the SAN I/O Module	
	In this chapter	19
	Items required	19
	Modifying the SAN I/O Module IP address	20
	Using the CMC GUI to set the IP address	20
	Using the CMC CLI to set the IP address	21
	Using the SAN I/O Module CLI to set the IP address	22
	Connecting the SAN I/O Module to the Ethernet network	24
	Connecting to the SAN I/O Module using Web Tools	24
	Connecting the SAN I/O Module to the fabric	24
Chapter 4	Operating the SAN I/O Module	
	In this chapter	29
	Interoperability	29
	Activating Ports on Demand	30
	Activating ports with a POD license	30
	Changing from Access Gateway mode to Native Fabric mode	31
	Disabling Access Gateway mode	32
	Changing from Native Fabric mode to Access Gateway mode	33
	Access Gateway mode default port mapping	33
	Accessing the SAN I/O Module	33
	Interpreting POST results	34
	Interpreting SAN I/O Module LED activity	35
	Power-on self-test LEDs	36
	Normal-operation LEDs	36
	Removing and replacing SAN I/O Modules	37
	Removing and replacing SFP+ transceivers and cables	39

Switch management	40
Viewing the configuration	40
Upgrading or downgrading firmware	41
Changing the default account password	41
Changing the default account password at login	42
Backing up the configuration	42
Locating the serial number information	43

Appendix A

SAN I/O Module Specifications

In this appendix	45
Processor and memory specifications	45
Weight and physical dimensions	45
Environmental specifications	46
Electrical specifications	46
Architectural specifications	46
Supported HBAs	47
Fibre Channel standards compliance	47
Regulatory compliance	47
FCC warning (US only)	47
BSMI statement (Taiwan)	48
KC statement (Republic of Korea)	48
VCCI statement (Japan)	48
CE statement	48
Canadian requirements	49
Laser compliance	49
RTC battery	49
Regulatory compliance standards	49
Environmental regulation compliance	50
Environmental Protection Use Period (EPUP) Disclaimer	50
China RoHS	50

Index

About This Document

In this chapter

- [How this document is organized](#) vii
- [Document conventions](#) viii
- [Notice to the reader](#) ix
- [Additional information](#) x
- [Getting technical help](#) xi
- [Document feedback](#) xii

How this document is organized

This document is organized to help you find information that you want as quickly and easily as possible. The document contains the following components:

- [Chapter 1, “Brocade M6505 Product Overview,”](#) describes the Brocade M6505 16 Gbps Fibre Channel SAN I/O Module and explains its basic concepts and features. This chapter also provides instructions for unpacking the SAN I/O Module from its shipping container, references to the appropriate publication for installing the SAN I/O Module into the Dell M1000e Blade Server Enclosure, and Fibre Channel port cabling guidelines.
- [Chapter 2, “Installing the SAN I/O Module,”](#) describes the procedures needed to unpack and install the Brocade M6505 16 Gbps Fibre Channel SAN I/O Module for the Dell M1000e Blade Server Enclosure.
- [Chapter 3, “Configuring the SAN I/O Module,”](#) describes how to change the IP address of the Brocade M6505 16 Gbps Fibre Channel SAN I/O Module, connect the module to the Ethernet network and fabric, and connect to the Brocade M6505 16 Gbps Fibre Channel SAN I/O Module using Web Tools.
- [Chapter 4, “Operating the SAN I/O Module,”](#) is a reference for understanding the power-on diagnostics and LEDs supporting the Brocade M6505 16 Gbps Fibre Channel SAN I/O Module. Also provided are details for operating and replacing the Brocade M6505 16 Gbps Fibre Channel SAN I/O Module, removing and replacing SFP+ transceivers and cables, changing between Access Gateway mode and Native Fabric mode, activating Ports on Demand (POD), backing up the system, maintaining firmware, changing passwords, locating serial number information, and viewing configurations.
- [Appendix A, “SAN I/O Module Specifications,”](#) provides product specifications and regulatory compliance information.

Document conventions

This section describes text formatting conventions and important notice formats used in this document.

Text formatting

The narrative-text formatting conventions that are used are as follows:

bold text	Identifies command names Identifies the names of user-manipulated GUI elements Identifies keywords and operands Identifies text to enter at the GUI or CLI
<i>italic text</i>	Provides emphasis Identifies variables Identifies paths and Internet addresses Identifies document titles
code text	Identifies CLI output Identifies command syntax examples

For readability, command names in the narrative portions of this guide are presented in mixed lettercase: for example, **switchShow**. In actual examples, command lettercase is all lowercase.

Command syntax conventions

Command syntax in this manual follows these conventions:

command	Commands are printed in bold.
-- option, option	Command options are printed in bold.
- argument, arg	Arguments.
[]	Optional elements appear in brackets.
<i>variable</i>	Variables are printed in italics. In the help pages, values are <u>underlined</u> or enclosed in angled brackets < >.
...	Repeat the previous element, for example "member[;member...]"
value	Fixed values following arguments are printed in plain font. For example, -- show WWN
	Boolean. Elements are exclusive. Example: -- show -mode egress ingress

Notes, cautions, and warnings

The following notices and statements are used in this manual. They are listed below in order of increasing severity of potential hazards.

NOTE

A note provides a tip, guidance, or advice, emphasizes important information, or provides a reference to related information.

ATTENTION

An Attention statement indicates potential damage to hardware or data.



CAUTION

A Caution statement alerts you to situations that can be potentially hazardous to you or cause damage to hardware, firmware, software, or data.



DANGER

A Danger statement indicates conditions or situations that can be potentially lethal or extremely hazardous to you. Safety labels are also attached directly to products to warn of these conditions or situations.

Key terms

For definitions specific to Brocade and Fibre Channel, see the technical glossaries on MyBrocade. See “[Brocade resources](#)” on page x for instructions on accessing MyBrocade.

For definitions of SAN-specific terms, visit the Storage Networking Industry Association online dictionary at:

<http://www.snia.org/education/dictionary>

Notice to the reader

This document may contain references to the trademarks of the following corporations. These trademarks are the properties of their respective companies and corporations.

These references are made for informational purposes only.

Corporation	Referenced trademarks and products
Cisco Systems	Cisco
Dell, Inc.	PowerEdge
Microsoft Corporation	Windows, Windows 2003, Windows 2008, Windows XP
Red Hat Inc.	Red Hat Enterprise Linux (RHEL)

Corporation	Referenced trademarks and products
The Open Group	UNIX
VMware	SUSE Linux Enterprise Server (SLES)
XenServer	XEN 6.0

Additional information

This section lists additional Brocade and industry-specific documentation that you might find helpful.

Brocade resources

To get up-to-the-minute information, go to <http://my.brocade.com> to register at no cost for a user ID and password.

White papers, online demonstrations, and data sheets are available through the Brocade web site at:

<http://www.brocade.com/products-solutions/products/index.page>

For additional Brocade documentation, visit the Brocade web site:

<http://www.brocade.com>

Release notes are available on the Brocade Connect Web site and are also bundled with the Fabric OS firmware.

Other industry resources

For additional resource information, visit the Technical Committee T11 web site. This web site provides interface standards for high-performance and mass storage applications for Fibre Channel, storage management, as well as other applications:

<http://www.t11.org>

For information about the Fibre Channel industry, visit the Fibre Channel Industry Association web site:

<http://www.fibrechannel.org>

Product support documents

The following documentation is available from Dell.

- *Dell PowerEdge M1000e Enclosure Owner's Manual*
- *Dell Chassis Management Controller Firmware Version 4.x User Guide*

The following support documentation is provided on the Brocade web site.

- *Fabric OS Administrator's Guide*
- *Fabric OS Command Reference*

- *Fabric OS MIB Reference*
- *Fabric OS Message Reference*
- *Access Gateway Administrator's Guide*
- *SAN TECH NOTE - Preparing to Install the Brocade Access Gateway*
- *Web Tools Administrator's Guide*
- *Fabric Watch Administrator's Guide*
- *Brocade M6505 16 Gbps Fibre Channel SAN I/O Module QuickStart Guide*
- Release notes for the Fabric OS version running on the SAN I/O Module
- Release notes specific to the SAN I/O Module

NOTE

Refer to the latest documentation version for the most up-to-date product information.

Getting technical help

Contact your switch support supplier for hardware, firmware, and software support, including product repairs and part ordering. To expedite your call, have the following information available:

1. General Information

- Dell service tag (listed by the CMC)
- Switch model
- Switch operating system version
- Software name and software version, if applicable
- Error numbers and messages received
- **supportSave** command output
- Detailed description of the problem, including the switch or fabric behavior immediately following the problem, and specific questions
- Description of any troubleshooting steps already performed and the results
- Serial console and Telnet session logs
- Syslog message logs

2. Switch serial number

The switch serial number and corresponding bar code are provided on the serial number label, for example:

FT00X0054E9



3. World Wide Name (WWN).

Use the **wwn** or **switchShow** commands to display the WWN.

4. Software licenses. Use the **licenseIdShow** command to display the list of licenses and corresponding license IDs available on the unit.

Document feedback

Quality is our first concern at Brocade and we have made every effort to ensure the accuracy and completeness of this document. However, if you find an error or an omission, or you think that a topic needs further development, we want to hear from you. Forward your feedback to:

documentation@brocade.com

Provide the title and version number of the document, and as much detail as possible about your comment, including the topic heading and page number and your suggestions for improvement.

Brocade M6505 Product Overview

In this chapter

• SAN I/O Module overview	1
• Operating system support	2
• Hardware features and functionality	2
• Software features	3
• Ports on Demand	4
• ISL trunking groups	5
• Access Gateway and Native Fabric modes	5
• Optional Brocade licenses	6
• Hardware description	7
• SFP+ transceivers	10

SAN I/O Module overview

The Brocade M6505 16 Gbps Fibre Channel SAN I/O Module is a nonblocking, embedded switch with up to 8 external-facing Fibre Channel ports and up to 16 internal-facing Fibre Channel ports that is custom built for the Dell PowerEdge M1000e Blade Server Enclosure. Although the product may ship with a specific number of ports enabled, it can be upgraded to 24 ports through a Ports on Demand (POD) license.

NOTE

The Brocade M6505 16 Gbps Fibre Channel SAN I/O Module is also referred to as the SAN I/O Module throughout this document.

The eight external ports of the Brocade M6505 16 Gbps Fibre Channel SAN I/O Module support hot-pluggable Small Form Factor Pluggable plus (SFP+) optical transceivers. Only Brocade-branded optical transceivers are supported.

Each external port is independently capable of supporting speeds of 16, 8, and 4 Gbps using auto-sensing. Internal ports support speeds of 16 and 8 Gbps. The switch module operates in either Brocade Access Gateway (AG) or Native Fabric (full-fabric switch) mode. The default mode is AG, which utilizes NPIV for direct connectivity to Brocade, Cisco and/or McData SANs.

Operating system support

Brocade Fabric OS has no specific host operating system (OS) dependencies. The Fabric OS in the switches allows for any Fibre Channel-compliant device to attach to switches as long as it conforms to the standards for device login, name service, and related Fibre Channel features.

The operating systems listed in [Table 1](#) are for the host machine running Brocade management applications outside the Fabric OS, such as Brocade Network Advisor (BNA). For the latest information on operating system support for these applications, refer to the latest released versions of BNA documentation.

TABLE 1 Supported operating systems for management server

Operating system	Description
Microsoft	<ul style="list-style-type: none">Windows 2003 SP1, 64-bit (Standard, Enterprise and Web)Windows 2008 64-bit (Standard, Enterprise and Web)Windows Server 2008 Hyper-V R2
Linux	<ul style="list-style-type: none">Red Hat Enterprise Linux (EL) 5.5 32/64-bit (Standard and Advanced platform)SUSE Linux ES 11 (SP1 32/64-bit)
VMWare	VMWare ESX 4.0 (U2)
XenServer	XEN 6.0

Hardware features and functionality

The SAN I/O Module ships in Access Gateway mode. It provides support for the following hardware features and functionality:

- Twelve to 24 auto-negotiating Fibre Channel (FC) ports
- Diagnostic ports
- Up to eight small form-factor pluggable plus (SFP+) optical transceivers supporting speeds of 16 Gbps, 8 Gbps and 4 Gbps
- System LEDs noting system power, switch status, and management health status
- One RJ-45 connector for serial console management
- Hot pluggable—Up to 4 hot-pluggable SAN I/O Modules per Dell M1000e Blade Server Enclosure chassis
- Runtime elements that include health monitoring, uptime, memory information, CPU usage, user information, power, and licenses
- Two internal 100 Mbps full-duplex Ethernet ports to connect to the redundant Dell M1000e Chassis Management Controllers (CMCs)
- One serial console port on the front panel.

Software features

The Brocade M6505 16 Gbps Fibre Channel SAN I/O Module supports the following software features. For updates to the supported feature set, refer to the *Brocade Fabric OS Administrator's Guide* and product release notes for additional information.

- Access Gateway (AG) mode and Native Fabric mode. (Refer to “[Access Gateway and Native Fabric modes](#)” on page 5.)

The SAN I/O Module ships in Access Gateway mode, but it can support the standard Native Fabric (Switch) mode. For detailed information about AG, refer to the *Brocade Access Gateway Administrator's Guide*.

- Brocade Fabric OS (FOS), which delivers distributed intelligence throughout the network and enables a wide range of value-added applications, such as Brocade Advanced Web Tools and Brocade Advanced Fabric Services (on certain models)
- Dynamic Ports on Demand (DPOD) offering the flexibility to scale from 12 ports on the Base model up to 24 ports
- Inter-Switch Link (ISL) Trunking (licensable), which allows up to eight ports (at 16, 8, or 4 Gbps speeds) to combine to form a single, logical ISL with a speed of up to 128 Gbps (each direction, full duplex) for optimal bandwidth utilization, automatic path failover, and load balancing.
- Enhanced Group Management, which enables the SAN I/O Module to be managed as a group
- Detection and resolution of duplicate WWNs
- Dell DMC, iDRAC, and CMC management
- Dual and redundant firmware images
- Service levels Class 2, Class 3, and Class F (inter-switch frames)
- Role-Based Access Control (RBAC) for managing user-permission levels
- Advanced zoning, which enables you to partition your storage area network (SAN) into logical groups of devices that can access each other
- Zoning enhancements that allow a switch with the default zone “no access” to merge with a fabric
- Buffer credit loss detection and automatic recovery on 16 Gbps ISLs
- Importing and exporting of configuration information, including port speeds and zoning information
- Port mirroring to monitor ingress or egress traffic from any port within the switch
- SNMP v1, v2c, and v3. (SNMP traps log errors and alarms; logs can be exported)
- TACACS+ and RADIUS remote authentication for switch management access
- IPv4 support
- AG enhancements, such as detection of unreliable N_Port links, RADIUS and LDAP support, Advanced Performance Monitoring (APM) capability, and F_Port static mapping
- Forward error correction (FEC), which provides method error control during data transmission by sending redundant data to ensure error-free transmission on a specified port or port range (enabled by default)
- IP address filtering for management access by way of Telnet, HTTP, HTTPS/SSL, SSH v2, and SNMP

1 Ports on Demand

- SNMP/MIB monitoring functionality contained within the Ethernet Control MIB-II (RFC1213-MIB)
- NTP client support (NTP V3)
- FTP support for firmware upgrades
- End-to-end optics and link validation
- Registered State Change Notification (RSCN), which notifies a device of a change within the fabric
- Switch banner support
- Syslog remote logging capabilities
- RASlogs to indicate invalid traffic isolation zones
- Four RMON groups: history, statistics, alarms, and events

Optional features

The following optional features are available, depending on whether the SAN I/O Module is configured in Access Gateway mode or Native Fabric mode. For detailed information on any of these features, refer to the *Brocade Fabric OS Administrator's Guide*. You can also refer to “[Optional Brocade licenses](#)” on page 6 for additional information.

- Ports on Demand (POD) licensing
- Inter-Switch Link (ISL) Trunking
- Fabric Watch
- Advanced Performance Monitoring
- Adaptive Networking

Ports on Demand

Depending on the model, the SAN I/O Module ships with either 12 or 24 active ports.

With Dynamic Ports on Demand (DPOD), physical ports are licensed as they come online. In the Base model port set, the first 12 ports reporting (on a first-come, first-served basis) on boot-up are assigned licenses. In the Full and ENT model port sets, the first 24 ports reporting (on a first-come, first-served basis) on boot-up are assigned licenses. These ports may be any combination of external or internal Fibre Channel (FC) ports. After all licenses have been assigned, you can manually move those licenses from one port to another.

NOTE

Ports 17 and 18 are prerreserved for external/SAN connectivity.

- Base model—Ships with 12 active ports. You can allocate an optional POD license to activate the additional 12 ports.
- Full model—Ships with 24 active ports. No additional POD license is needed.
- ENT (Enterprise) model—Ships with 24 active ports. No additional POD license is needed.

ISL trunking groups

If your SAN I/O Module has an optional Brocade ISL Trunking license, external ports can form trunking groups of ISLs between adjacent switches. ISL Trunking optimizes the performance and availability of SAN fabrics while simplifying ISL management.

All external ports (0, 17 through 23) can be formed into a single 8-port trunk, or any combination of 2- to 7-port trunk. For details about Brocade ISL Trunking, refer to the *Fabric OS Administrator's Guide*.

NOTE

Only the external ports are available for trunking.

Access Gateway and Native Fabric modes

The SAN I/O Module can function in either Native Fabric mode or Brocade Access Gateway mode. The SAN I/O Module is shipped in Access Gateway (AG) mode by default.

Access Gateway simplifies SAN deployment by using NPIV (N_Port ID Virtualization) technology. AG mode improves SAN I/O Module scalability, manageability, and interoperability. For more information on Access Gateway, refer to the *Brocade Access Gateway Administrator's Guide*.

NOTE

Access Gateway cannot be connected directly into a storage array unless one of the external ports is connected to a SAN network.

Access Gateway mode

The SAN I/O Module provides support for the following when operating in AG mode:

- Up to 8 auto-sensing (4, 8, and 16 Gbps) Fibre Channel ports. These are universal and self-configuring ports that are capable of becoming the following types:
 - F_Port (fabric-enabled)
 - N_Port (NPIV-enabled)
- Up to 16 internal backplane F_Ports. Each port can automatically negotiate its speed at either 16 Gbps or 8 Gbps to match the speed of attached devices
- Dynamic fabric provisioning that supports fabric-assigned WWNs

Native Fabric mode

Native Fabric mode can be accessed by disabling the default AG mode. Once the SAN I/O Module is in Native Fabric mode, it provides support for the following:

- Up to 8 external auto-sensing and auto-negotiating (4, 8, or 16 Gbps) Fibre Channel ports. These universal and self-configuring ports are capable of becoming one of the following port types:
 - E_Port (expansion port)
 - F_Port (fabric-enabled)
 - U_Port (self-discovery based on switch type)

These external ports are capable of ISL trunking with appropriate licensing.

- Frame filtering that augments the hardware zoning capabilities of the Brocade ASIC, which implements hardware zoning at the port level of the SAN I/O Module.
- Brocade ASIC expanded capabilities, including World Wide Name (WWN) and device-level zoning.
- Hardware zoning implemented by firmware-accessible table per output port.
- Zoning enhancements that allow a switch with the default zone “no access” to merge with a fabric.
- Buffer credit loss detection and automatic recovery on ISLs.

Optional Brocade licenses

Table 2 lists optional licenses that are available for use on the Brocade M6505 16 Gbps Fibre Channel SAN I/O Module.

TABLE 2 Optional supported features

License	Description
Adaptive Networking	A suite of tools and capabilities that optimize behavior in the SAN. Even under the worst congestion conditions, Adaptive Networking features can maximize the fabric behavior and provide necessary bandwidth for high-priority, mission-critical applications and connections.
Advanced Performance Monitoring	Enables more effective end-to-end SAN performance analysis to enhance performance tuning, increase productivity, optimize resource utilization, and reduce costs.
Fabric Watch	Continuously monitors SAN fabrics for potential faults based on thresholds set for a variety of SAN fabric elements and events, automatically alerting administrators to potential problems before they become costly failures.
ISL Trunking	Optimizes the performance and availability of SAN fabrics while simplifying ISL management.
Ports on Demand	Allows you to obtain additional ports by way of license key upgrade.

Hardware description

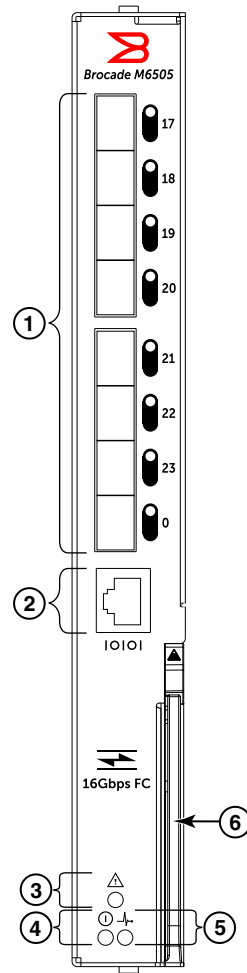
This section describes the Brocade M6505 16 Gbps Fibre Channel SAN I/O Module as shipped from the factory. For specifications, such as installed memory, weight and physical dimensions, facility requirements, and architectural specifications, refer to [Appendix A, “SAN I/O Module Specifications”](#).

SAN I/O Module front panel

All external ports and LEDs are accessible from the front panel of the Brocade M6505 16 Gbps Fibre Channel SAN I/O Module. The front panel faces out when the SAN I/O Module is inserted in the I/O module bays B or C of the Dell M1000e Blade Server Enclosure. Each external port has a dedicated LED that identifies port status and port diagnostics. For a complete description of the locations and interpretations of the LEDs, refer to [“Interpreting SAN I/O Module LED activity”](#) on page 35.

[Figure 1](#) shows details of the front panel and includes the release lever. Pressing the release latch to open the release lever enables you to insert and remove the SAN I/O Module in and out of the Dell M1000e Blade Server Enclosure.

1 Hardware description



- | | | | |
|---|-----------------------------|---|--|
| 1 | Ports with port status LEDs | 4 | Power status LED |
| 2 | RJ-45 console port | 5 | Server management status/indicator LED |
| 3 | SAN I/O Module status LED | 6 | SAN I/O Module release lever |

FIGURE 1 Brocade M6505 16 Gbps Fibre Channel SAN I/O Module front panel

For more information on SAN I/O Module front panel LEDs, refer to [“Interpreting SAN I/O Module LED activity”](#) on page 35.

SAN I/O Module side view

The SAN I/O Module connects to the I/O module bay of the Dell M1000e Blade Server Enclosure by way of the backplane connectors. (Refer to [Figures 2.](#)) The SAN I/O Module seats correctly when the release lever is closed securely.

Once the SAN I/O Module is securely seated, the backplane connectors become active, allowing the SAN I/O Module to be configured in the Dell M1000e Blade Server Enclosure.

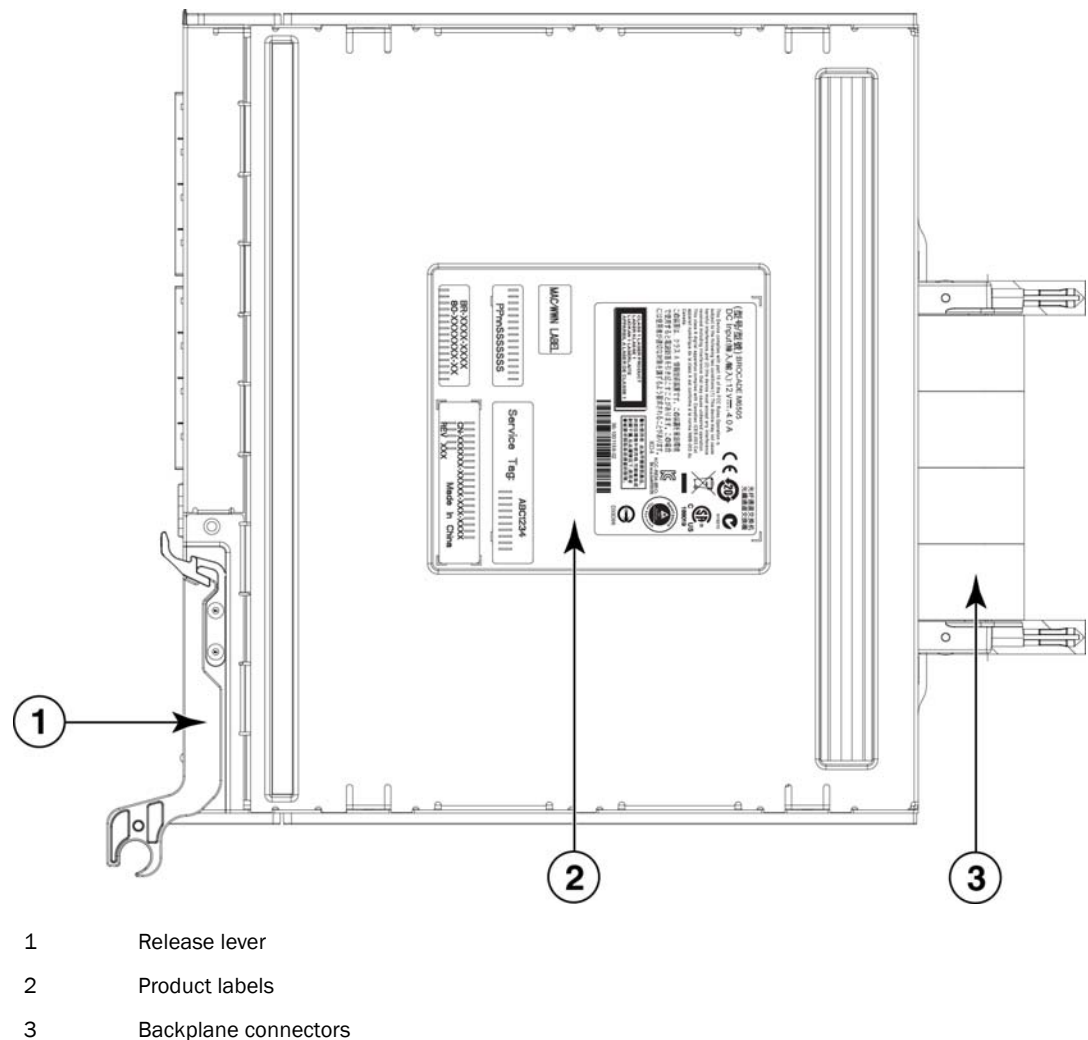


FIGURE 2 SAN I/O Module side view

SFP+ transceivers

The SAN I/O Module is designed to work exclusively with Brocade-branded small form-factor pluggable plus (SFP+) optical transceivers. The SFP+ transceivers are hot-swappable, thus allowing for connection to external devices without removing the SAN I/O Module from the Dell M1000e Blade Server Enclosure.

For information on inserting or removing SFP+ transceivers, refer to “[Removing and replacing SAN I/O Modules](#)” on page 37.

SFP+ transceivers provide optical connections to external devices for both short wavelength (SWL) and long wavelength (LWL) connections. You can replace SFP+ transceivers with a new pluggable SFP+ transceiver rather than replacing the SAN I/O Module.

The SAN I/O Module is shipped with 16 Gbps Brocade-branded transceivers.

- Base model—Ships with two pre-installed SFP+ transceivers. Six additional SFP+ transceivers can be installed.
- Full model—Ships with four pre-installed SFP+ transceivers. Four additional SFP+ transceivers can be installed.
- ENT model—Ships fully loaded with eight pre-installed SFP+ transceivers.

NOTE

You can also insert pre-qualified 8 Gbps SFP+ transceivers in the SAN I/O Module.

For a list of supported SFP+ transceivers on the SAN I/O Module, refer to [Table 3](#) on page 15.

For a complete list of Brocade-branded SFP+ transceivers and other interoperable hardware, visit the MyBrocade website at:

<http://my.brocade.com>

To register at MyBrocade, go to <http://my.brocade.com/wps/portal/registration>.

From the main page at my.brocade.com, select the **Product Portfolio** tab, then select **Small Form-Factor Pluggables (SFP)** from the **Filter by** list box. Click **Brocade Optical Transceiver Modules**.

Installing the SAN I/O Module

In this chapter

- Unpacking the SAN I/O Module 11
- Items included with the SAN I/O Module..... 11
- System reliability guidelines 12
- Handling static-sensitive devices 12
- Preparing the Blade Server Enclosure for the SAN I/O Module 12
- Inserting the SAN I/O Module in the Blade Server Enclosure 13
- Handling SFP+ transceivers 15
- Inserting an SFP+ transceiver in the SAN I/O Module port 15
- Cabling guidelines 16
- Data transmission ranges..... 17

Unpacking the SAN I/O Module

Perform the following steps to remove the Brocade Product Name from its shipping package:

1. Open the shipping box and inspect the contents for damage.
2. Remove the foam layer that sits on top of the SAN I/O Module.
3. Remove the switch from the surrounding protective foam.
4. After ensuring that standard electrostatic discharge (ESD) precautions have been taken, slide the SAN I/O Module from the antistatic sleeve.

Items included with the SAN I/O Module

- SFP+ transceivers: Each SAN I/O Module includes pre-installed SFP+ transceivers. The number of pre-installed SFP+ transceivers varies based on the SAN I/O Module. The transceivers can be activated directly out of the box.
 - Base model: Two 16 Gbps SFP+ transceivers
 - Full model: Four 16 Gbps SFP+ transceivers
 - ENT (Enterprise) model: Eight 16 Gbps SFP+ transceivers
- *Brocade M6505 16 Gbps Fibre Channel SAN I/O Module QuickStart Guide*

System reliability guidelines

To help ensure proper cooling, performance, and system reliability, make sure the following requirements are met:

- Each of the I/O module bays at the rear of the Dell M1000e Blade Server Enclosure contains either a SAN I/O Module or a filler panel.
- A removed hot-swappable SAN I/O Module is replaced with an identical SAN I/O Module or filler panel within 60 seconds of removal.
- You have followed the reliability guidelines in the documentation that comes with the Dell M1000e Blade Server Enclosure.

Handling static-sensitive devices

ATTENTION

Static electricity can damage the Dell M1000e Blade Server Enclosure and other electronic devices. To avoid damage, keep static-sensitive devices in their static-protective packages until you are ready to install them.

To reduce the possibility of electrostatic discharge, observe the following precautions:

- Limit your movement. Movement can cause static electricity to build up around you.
- Handle the device carefully, holding it by its edges or its frame.
- Do not touch solder joints, pins, or exposed printed circuitry.
- Do not leave the device where others can handle and damage it.
- While the device is still in its static-protective package, touch it to an unpainted metal surface of the Dell M1000e Blade Server Enclosure or an unpainted metal surface on any other grounded rack component in the rack in which you are installing the device for at least two seconds. This drains static electricity from the package and from your body.
- Remove the device from its package and install it directly into the Dell M1000e Blade Server Enclosure without setting down the device. If it is necessary to set down the device, put it back into its static-protective package. Do not place the device on the Dell M1000e Blade Server Enclosure or on a metal surface.
- Take additional care when you handle devices during cold weather. Heating reduces indoor humidity and increases static electricity.
- Some types of chassis come with electrostatic discharge (ESD) connectors. If the chassis is equipped with an ESD connector, see the documentation that comes with the Dell M1000e Blade Server Enclosure for using the ESD connector.

Preparing the Blade Server Enclosure for the SAN I/O Module

Before the SAN I/O Module can be inserted in the Dell M1000e Blade Server Enclosure, make sure the following conditions are met:

- The I/O module bay into which the SAN I/O Module will be inserted is ready to receive the SAN I/O Module.
- All power requirements specific to the Dell M1000e Blade Server Enclosure are met.

- Any protective cover on the SAN I/O Module backside connector is removed.
- If you are replacing an existing SAN I/O Module with a new module, the new SAN I/O Module should be ready to be inserted within 60 seconds from the removal of the old module to maintain the proper cooling level in the chassis.

Inserting the SAN I/O Module in the Blade Server Enclosure

Complete the following steps to insert the SAN I/O Module in the Dell M1000e Blade Server Enclosure.

1. Unpack the SAN I/O Module from its shipping box, as described in [“Unpacking the SAN I/O Module”](#) on page 11.
2. Verify that the Dell M1000e Blade Server Enclosure I/O module bay into which the SAN I/O Module is being inserted is empty and that any filler panel or dust cover is removed.

A maximum of four SAN I/O Modules can be installed in the Dell M1000e Blade Server Enclosure.

NOTE

The SAN I/O Module is designed to work only in I/O module bays B1/B2 and C1/C2 of the Dell M1000e Blade Server Enclosure. Make sure to comply with installation requirements stated in the *Dell PowerEdge M1000e Enclosure Owner's Manual*.

3. Press the release latch on the SAN I/O Module to free the release lever, as shown in [Figure 3](#).

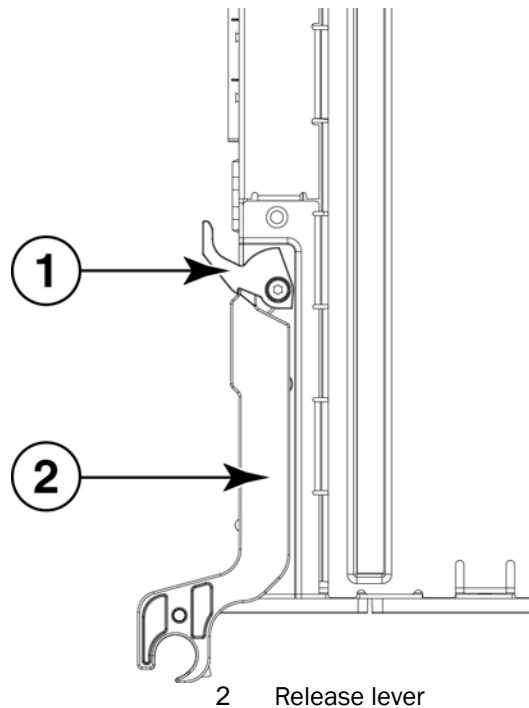
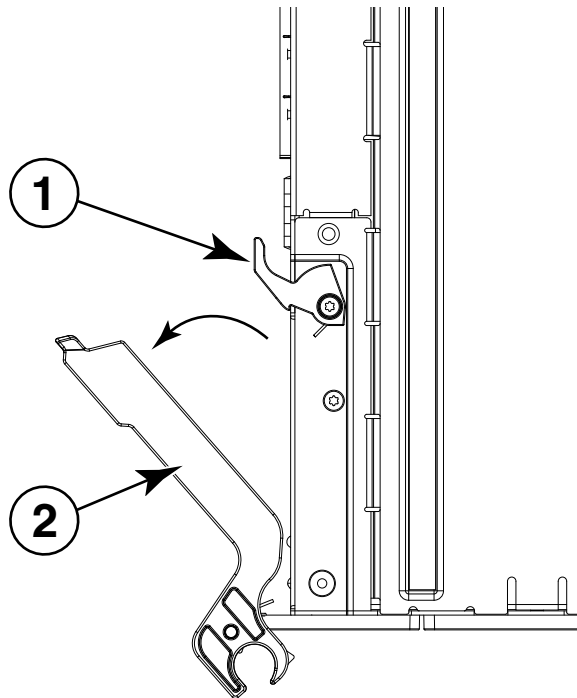


FIGURE 3 SAN I/O Module latching mechanism (closed position)

2 Inserting the SAN I/O Module in the Blade Server Enclosure

4. Ensure that the release lever is fully extended so the SAN I/O Module can be seated properly in the Dell M1000e Blade Server Enclosure, as shown in [Figure 4](#).



1 Release latch

2 Release lever

FIGURE 4 SAN I/O Module latching mechanism (open position)

5. With the port side facing you and the release lever fully extended, slide the SAN I/O Module in the Dell M1000e Blade Server Enclosure I/O module bay.
6. Press the release lever upward until the release latch clicks and locks the lever in place.

This locks the SAN I/O Module into the Dell M1000e Blade Server Enclosure I/O module bay. Locking the SAN I/O Module into the I/O module bay provides power (if the power is on in the Blade Server Enclosure) and activates (powers on) the switch and switch LEDs.

The switch then runs self-diagnostic tests (such as POST).

When the SAN I/O Module is inserted in the Dell M1000e Blade Server Enclosure, the physical Ethernet connection is established through the Dell M1000e Blade Server Enclosure Chassis Management Controller (CMC). Also, the SAN I/O Module serial port connection becomes available through the CMC CLI **connect switch-x** interface.

NOTE

Once inserted, the SAN I/O Module can be accessed remotely. Ensure that the SAN I/O Module is not being modified from any other connection until configuration is complete. Refer to [Chapter 3, "Configuring the SAN I/O Module,"](#) for additional information about configuring the SAN I/O Module.

Handling SFP+ transceivers

Before installing an SFP+ transceiver, be aware of the following:

- The housing on the SFP+ transceiver includes an integral guide key that is designed to prevent you from inserting the transceiver incorrectly.
- Use minimal pressure when you insert an SFP+ transceiver in the port. Forcing the transceiver into the port can cause damage to the transceiver or the SAN I/O Module port.
- You can insert or remove an SFP+ transceiver while the Dell M1000e Blade Server Enclosure is powered on.
- You must first insert the SFP+ transceiver in the port *before* connecting the cables.
- You must remove the cable from the SFP+ transceiver *before* you remove the SFP+ transceiver from the SAN I/O Module.

[Table 3](#) lists Brocade-branded SFP+ transceivers that are supported on the SAN I/O Module.

TABLE 3 Brocade-branded SFP+ transceivers and part numbers

Transceiver type	Device support	Device description	Brocade part number	Dell part number
SFP+	16 Gbps FC	SWL, 1-pack, BR	XDL-000192	2D0N2
SFP+	16 Gbps FC	SWL, 8-pack, BR	XDL-000193	MTW83
SFP+	8 Gbps FC	SWL, 1-pack, BR	XDL-000163	KP1HM
SFP+	8 Gbps FC	SWL, 8-pack, BR	XDL-000164	X3T03

To order SFP+ transceivers, contact your sales representative.

Inserting an SFP+ transceiver in the SAN I/O Module port



DANGER

All fiber-optic interfaces use Class 1 lasers.



DANGER

Laser radiation. Do not view directly with optical instruments. Class 1 laser products.

Your SAN I/O Module ships from the factory with a certain number of pre-installed SFP+ transceivers. The number of pre-installed transceivers will vary based on your SAN I/O Module model.

To insert additional SFP+ transceivers in your SAN I/O Module, complete the following procedure. If you are replacing an SFP+ transceiver, refer to [“Removing and replacing SFP+ transceivers and cables”](#) on page 39.

ATTENTION

Be sure to use only Brocade-branded SFP+ transceivers. (Refer to [Table 3](#)).

2 Cabling guidelines

1. Review the section “[Handling SFP+ transceivers](#)” on page 15.
2. If your SAN I/O Module ships with insert plugs in the unused external ports, remove the insert plugs from the ports to be used.
3. Insert the SFP+ transceiver into a port until it is firmly seated and the latching mechanism clicks.

NOTE

SFP+ Transceivers are keyed to ensure correct orientation. If an SFP+ transceiver does not install easily, ensure that it is correctly oriented.

4. Connect the cable to the SFP+ transceiver. Refer to “[Cabling guidelines](#)” on page 16.

For instructions specific to the type of transceiver, visit the MyBrocade web site at:

<http://my.brocade.com>

The cables used in trunking groups must meet specific requirements. For a list of these requirements, refer to the *Brocade Fabric OS Administrator's Guide*.

5. After the diagnostics have completed, cable the SAN I/O Module according to instructions provided by the manufacturer. For more information, refer to the documentation that came with your embedded switch.
6. Configure the Ethernet IP address on the SAN I/O Module as described in “[Connecting to the SAN I/O Module using Web Tools](#)” on page 24.

Cabling guidelines

After modifying the IP address of the SAN I/O Module, it is recommended that you cable all external ports to fabric connections before bringing the SAN I/O Module online.

Begin by cabling the ports from the top (ports 17 and 18) and working down as needed (ports 19, 20, 21, 22, 23, and 0). At a minimum, for all licensed variants of the SAN I/O Module, ports 17 and 18 are pre-licensed at the factory as part of Dynamic Ports On Demand (DPOD).

To avoid damage to the fiber-optic cables, follow these guidelines:

- Do not route the cable along a folding cable-management arm.
- When you attach the cable to a device on slide rails, leave enough slack in the cable so that it does not bend to a radius of less than 38 mm (1.5 in.) when the device is extended, or becomes pinched when the device is retracted.
- Tie wraps are not recommended for optical cables because they are easily overtightened.

**CAUTION**

A 50-micron cable should not be bent to a radius less than 2 inches under full tensile load and 1.2 inches with no tensile load.

Data transmission ranges

Table 4 provides the data transmission ranges for the transceivers, port speeds, and cable types.

TABLE 4 Supported optical transceivers, speeds, cables, and distances

Transceiver type	Form factor	Link Speed ¹	Multi-node media (50 microns) (OM1)	Multi-mode media (50 microns) (OM2)	Multi-mode media (50 microns) (OM3)	Multi-mode media (50 microns) (OM4)	Single-mode media
SWL	SFP+	2 Gbps	150 m (492 ft.)	300 m (984 ft.)	500 m (1640 ft.)	N/A	N/A
SWL	SFP+	4 Gbps	70 m (229 ft.)	150 m (492 ft.)	380 m (1264 ft.)	400 m (1312 ft.)	N/A
SWL	SFP+	8 Gbps	21 m (68 ft.)	50 m (164 ft.)	150 m (492 ft.)	190 m (623 ft.)	N/A
SWL	SFP+	16 Gbps	15 m (49 ft.)	35 m (115 ft.)	100 m (328 ft.)	125 m (410 ft.)	N/A

1. 16Gb SFP+ optical transceivers support 16/8/4 Gbps speeds, and 8Gb SFP+ optical transceivers support 8/4/2 Gbps speeds.

2 Data transmission ranges

Configuring the SAN I/O Module

In this chapter

- [Items required](#) 19
- [Modifying the SAN I/O Module IP address](#) 20
- [Connecting to the SAN I/O Module using Web Tools](#) 24
- [Connecting the SAN I/O Module to the Ethernet network](#) 24
- [Connecting the SAN I/O Module to the fabric](#) 24

NOTE

Although the SAN I/O Module is configured at the factory for Access Gateway (AG) mode, you can enable it for Fabric OS Native mode. For more information, refer to [“Changing from Access Gateway mode to Native Fabric mode”](#) on page 31.

Items required

The following items are required for configuring and connecting the SAN I/O Module for use in a network and fabric:

- The SAN I/O Module to be installed in the Dell M1000e Blade Server Enclosure.
- If required, a management workstation (computer) that has a terminal emulator (such as HyperTerminal) or a keyboard, video, and mouse (KVM) device. This is only required if you are not changing the SAN I/O Module IP address through the Dell M1000e Blade Server Enclosure GUI or CLI management programs.
- An unused IP address and corresponding subnet mask and gateway address, unless DHCP is used.
- If required, a serial cable to connect to the SAN I/O Module serial console port.

NOTE

The serial cable is only required if you are not changing the SAN I/O Module IP address through the Dell M1000e Blade Server Enclosure GUI or CLI management programs.

- Access to an FTP server for backing up the SAN I/O Module configuration.

3 Modifying the SAN I/O Module IP address

- Access to the following publications:
 - *Dell PowerEdge M1000e Enclosure Owner's Manual*
 - *Dell Chassis Management Controller Firmware Version 4.x User Guide*
 - *Brocade Fabric OS Command Reference*
 - *Brocade Fabric OS Message Reference*
 - *Brocade SAN TECH NOTE – Preparing to Install the Brocade Access Gateway*
 - *Brocade Access Gateway Administrator's Guide*
 - *Brocade Web Tools Administrator's Guide*
 - Release notes for the Fabric OS version running on the SAN I/O Module
 - Release notes specific to the SAN I/O Module

Modifying the SAN I/O Module IP address

By default, the IP address for the SAN I/O Module is configured as 10.77.77.77 with a default Ethernet subnetmask of 255.255.255.0.

Reset the IP address using any of the following three methods. The IP address values are stored on the SAN I/O Module.

- [“Using the CMC GUI to set the IP address”](#) on page 20
- [“Using the CMC CLI to set the IP address”](#) on page 21
- [“Using the SAN I/O Module CLI to set the IP address”](#) on page 22

NOTE

It is recommended that you set the IP address using the Dell M1000e Blade Server Chassis Management Controller (CMC). From the CMC, you can set the IP address using either the GUI or the CLI.

Using the CMC GUI to set the IP address

To modify the SAN I/O Module IP address using the CMC GUI, perform the following steps:

1. Select **I/O Module Overview** from the left navigation panel.
2. Click the **Setup** tab.
3. Enter the new information in the **IP Address**, **Subnet Mask**, and **Gateway** fields as appropriate, then click **Apply**.
4. To enable DHCP, select **DHCP Enabled**, then click **Apply**.

Refer to [Figure 5](#) on page 21.

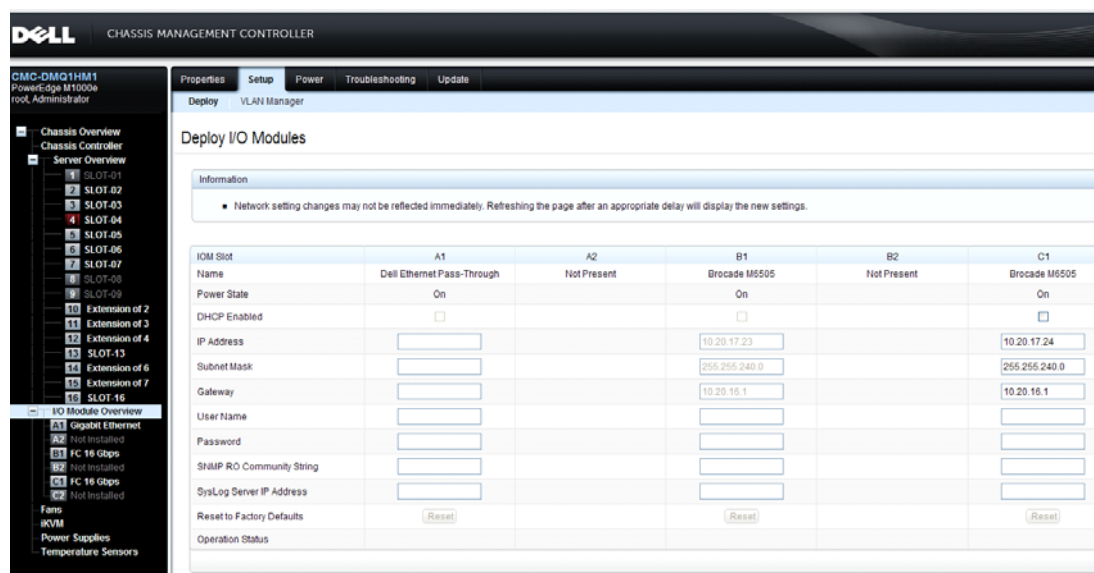


FIGURE 5 CMC Setup tab

Refer to the *Dell PowerEdge M1000e Enclosure Owner's Manual* that comes with your Dell M1000e Blade Server Enclosure for more information.

Using the CMC CLI to set the IP address

To modify the SAN I/O Module IP address through the Chassis Management Controller (CMC) CLI, perform the following steps:

1. Establish a Telnet session to the CMC CLI.
2. At the command prompt, enter **connect switch-x** where x is the bay in which the SAN I/O Module is installed. For example, **switch-x** can be one of the following values:
 - **Switch-3** for SAN I/O Module installed in bay B1.
 - **Switch-4** for SAN I/O Module installed in bay B2.
 - **Switch-5** for SAN I/O Module installed in bay C1.
 - **Switch-6** for SAN I/O Module installed in bay C2.
3. Log in to the default administrative account using the following default settings:
Login: **admin**
Password: **password**
4. When prompted, either change the administrative password, or press **Ctrl-C** to bypass.
5. Enter the **ipAddrSet** command to change the IP address of the selected SAN I/O Module.
switch:admin> **ipaddrset**
6. Follow on-screen instructions and supply the correct information, as shown in the following example:

```
switch:admin> ipaddrset
Ethernet IP Address [10.77.77.77]:10.32.53.47
Ethernet Subnetmask [255.255.255.0]:255.255.240.0
```

3 Modifying the SAN I/O Module IP address

```
Fibre Channel IP Addresss [none]:  
Fibre Channel Subnetmask [none]:  
Gateway IP Address [0.0.0.0]:10.32.48.1  
DHCP [Off]:  
IP address is being changed...Done.
```

7. Enter **ipAddrShow** to verify the IP address was correctly set.

```
switch:admin> ipaddrshow  
Ethernet IP Address: 10.32.53.47  
Ethernet Subnetmask: 255.255.240.0  
Fibre Channel IP Addresss: none  
Fibre Channel Subnetmask: none  
Gateway IP Address 10.32.48.1  
DHCP: Off
```

Refer to the *Dell PowerEdge M1000e Enclosure Owner's Manual* that comes with your Blade Server Enclosure for information on using the CMC **connect** command.

Using the SAN I/O Module CLI to set the IP address

Perform the following tasks to change the IP address on the Brocade M6505 16 Gbps Fibre Channel SAN I/O Module using the SAN I/O Module's CLI.

Task 1: Establish a terminal session with the SAN I/O Module

Complete the following steps to establish a terminal emulation session between the SAN I/O Module and a management workstation used for managing the SAN I/O Module. Once this session is established, you can log in to the SAN I/O Module and use its CLI commands to manage the module.

1. Connect a serial cable between the serial console port on the SAN I/O Module and the management workstation that can establish a terminal emulation session with the SAN I/O Module.
2. Disable any serial communication programs that are running on the workstation.
3. Using a terminal emulator application (such as HyperTerminal or PuTTY connection manager on a PC or TERM in a LINUX or UNIX environment), establish a terminal session to the SAN I/O Module from the management workstation. You will use this connection if you want to reset the IP address of the SAN I/O Module using CLI commands and perform other configuration tasks.

For Windows 2003, 2008

- a. Click **Start** and select **Programs > Accessories > Communications**.
- b. Select **HyperTerminal** and enter a name for the connection.
- c. From the HyperTerminal window, click the **Connect** menu and select an available COM port.
- d. Click **OK**.

- e. From the **COM Port Properties** window, select the following configuration values.

Bits per second	9600
Databits	8
Parity	None
Stop bits	1
Flow control	None

- f. Log in using the default administrative account:
Login: **admin**
Password: **password**
- g. When prompted, either change the administrative password, or press **Ctrl-C** to bypass.

For LINUX or UNIX

- a. Enter the following command at the command prompt:
tip /dev/ttyb -9600
- b. When the terminal application stops reporting information, press **Enter** to display the login prompt.
- c. Log in using the default administrative account:
Login: **admin**
Password: **password**
- d. When prompted, either change the administrative password, or press **Ctrl-C** to bypass.

Task 2: Change the IP address

1. Verify that the SAN I/O Module has completed power-on self-test (POST). When POST is complete, the port status and SAN I/O Module power and status LEDs return to a standard healthy state.
2. Enter the **ipAddrSet** command.
switch:admin> **ipaddrset**
3. Follow on-screen instructions and supply the correct information, as shown in the following examples.

```
switch:admin> ipaddrset
Ethernet IP Address [10.77.77.77]:10.32.53.47
Ethernet Subnetmask [255.255.255.0]:255.255.240.0
Fibre Channel IP Addresss [none]:
Fibre Channel Subnetmask [none]:
Gateway IP Address [0.0.0.0]:10.32.48.1
DHCP [Off]:
IP address is being changed...Done.
```

3 Connecting the SAN I/O Module to the Ethernet network

4. Enter **ipAddrShow** at the prompt to verify that the address was set correctly.

```
switch:admin> ipaddrshow
Ethernet IP Address: 10.32.53.47
Ethernet Subnetmask: 255.255.240.0
Fibre Channel IP Address: none
Fibre Channel Subnetmask: none
Gateway IP Address 10.32.48.1
DHCP: Off
```

Connecting the SAN I/O Module to the Ethernet network

Once you have successfully set the appropriate IP address of the SAN I/O Module, you can establish an Ethernet connection through the Dell M1000e Blade Server Enclosure Chassis Management Controller (CMC) to a remote management workstation for any additional configuration. The management workstation must be on the same Ethernet subnet as the CMC.

NOTE

Ensure that the SAN I/O Module is not being modified from any other connection until configuration is complete.

Once an Ethernet connection is established, you can configure the SAN I/O Module by way of Telnet/SSH using the switch CLI, or by launching Web Tools.

Connecting to the SAN I/O Module using Web Tools

Complete the following steps to connect to the Brocade M6505 16 Gbps Fibre Channel SAN I/O Module using Web Tools.

1. On the management console, open a web browser such as Internet Explorer.
The web browser must be connected to the same network as the SAN I/O Module.
2. Enter the IP address of the SAN I/O Module in the **Address** field, then press **Enter**.

NOTE

Web Tools requires any browser that conforms to HTML version 4.0, JavaScript version 1.0, and Java Plug-in 1.6.0_24 or later.

For more information about using Web Tools, refer to the *Brocade Web Tools Administrator's Guide*.

Connecting the SAN I/O Module to the fabric

NOTE

Refer to "[Cabling guidelines](#)" on page 16 before beginning the following procedure.

Before beginning the following steps, determine whether the SAN I/O Module is in Brocade Access Gateway or Native Fabric mode. This affects the configuration process. Using the Brocade M6505 16 Gbps Fibre Channel SAN I/O Module CLI, enter the **ag --modeShow** command to determine the current operating mode.

If you are in AG mode and want to change to Native Fabric mode before connecting the SAN I/O Module to the fabric, refer to [“Changing from Access Gateway mode to Native Fabric mode”](#) on page 31.

1. If the Brocade M6505 16 Gbps Fibre Channel SAN I/O Module is in Native Fabric mode, continue to [step 2](#) and [step 3](#). If the Module is in Access Gateway mode, go on to [step 4](#).
2. Log in to the SAN I/O Module through a Telnet connection using the admin account.
3. Modify the domain ID if required using Brocade M6505 16 Gbps Fibre Channel SAN I/O Module CLI commands.

The default domain ID is 1. If the SAN I/O Module is not powered on until after it is connected to the fabric and the default domain ID is already in use, the domain ID for the new SAN I/O Module is automatically reset to a unique value. If the SAN I/O Module is connected to the fabric after it has been powered on and the default domain ID is already in use, the fabric segments.

To find the domain IDs that are currently in use, run the **fabricShow** command on another SAN I/O Module or switch in the fabric. Identify an unused domain ID:

- a. Disable the SAN I/O Module being configured using the **switchDisable** command.
- b. Enter the **configure** command at the root prompt.

The command prompts display sequentially. Enter a new value at the Domain prompt or press **Enter** to accept the default value. The SAN I/O Module now has a unique domain ID and can join the fabric. The following sample is an example of command output.

```
Fabric parameters (yes, y, no, n): [no] y

Data field size: (256..2112) [2112]
Sequence Level Switching: (0..1) [0]
Disable Device Probing: (0..1) [0]
Suppress Class F Traffic: (0..1) [0]
Switch PID Format: (1..2) [1]Configure...

Domain: (1..239) [1] 155
R_A_TOV: (4000..120000) [10000]
E_D_TOV: (1000..5000) [2000]
WAN_TOV: (0..30000) [0]
MAX_HOPS: (7..19) [7]

Per-frame Route Priority: (0..1) [0]
Long Distance Fabric: (0..1) [0]
BB credit: (1..27) [16]

Insistent Domain ID Mode (yes, y, no, n): [no]
Virtual Channel parameters (yes, y, no, n): [no]
F-Port login parameters (yes, y, no, n): [no]
Zoning Operation parameters (yes, y, no, n): [no]
RSCN Transmission Mode (yes, y, no, n): [no]
Arbitrated Loop parameters (yes, y, no, n): [no]
System services (yes, y, no, n): [no]
Portlog events enable (yes, y, no, n): [no]
ssl attributes (yes, y, no, n): [no]
http attributes (yes, y, no, n): [no]
snmp attributes (yes, y, no, n): [no]
rpcd attributes (yes, y, no, n): [no]
cfgload attributes (yes, y, no, n): [no]
webtools attributes (yes, y, no, n): [no]
```

3 Connecting the SAN I/O Module to the fabric

```
System (yes, y, no, n): [no]
```

```
WARNING: The domain ID will be changed. The port level zoning may be affected.
```

- c. Re-enable the SAN I/O Module by entering the **switchEnable** command.

NOTE

It can take up to 20 seconds for the newly added SAN I/O Module to appear in the fabric display with its newly assigned domain ID.

4. If you must install SFP+ transceivers, install them in the external Fibre Channel ports, as required.
 - a. If necessary, remove the end caps from the SFP+ transceiver.
 - b. Orient the SFP+ transceiver correctly and insert it in a port until it is firmly seated and the latching mechanism clicks.
 - c. Repeat substeps a, b, and c for the remaining ports, as required.

NOTE

Only Brocade-branded SFP+ transceivers are supported for use with the SAN I/O Module.

5. Connect the cables to the transceivers.

The transceivers are keyed to ensure correct orientation. If a transceiver does not install easily, ensure that it is correctly oriented and that the end caps have been removed. The cables used in trunking groups must meet specific requirements. For a list of these requirements, see the *Brocade Fabric OS Administrator's Guide*.

ATTENTION

A cable should not be bent to a radius less than 5.08 cm (2 inches) under full tensile load and 3.048 cm (1.2 inches) with no tensile load.

Tie wraps are not recommended for optical cables because they are easily overtightened.

- a. Orient a cable connector so that the key (the ridge on one side of connector) aligns with the slot in the transceiver.
 - b. Insert the cable into the transceiver until the latching mechanism clicks. For instructions specific to cable type, refer to the cable manufacturer's documentation.
 - c. Repeat substeps a and b for the remaining transceivers, as required.
6. Check the LEDs to verify that all components are functional.

For information about LED patterns, refer to the "[Interpreting SAN I/O Module LED activity](#)" on page 35.

7. Verify the correct operation of the SAN I/O Module by entering the **switchShow** command from the switch Telnet session.

This command provides information about SAN I/O Module and port status.

8. Verify the correct operation of the SAN I/O Module in the fabric by entering the **fabricShow** command from the switch Telnet session.

9. Back up the SAN I/O Module configuration to an FTP server by typing the **configUpload** command and following the prompts.

This command uploads the SAN I/O Module configuration to the server, making it available for downloading to a replacement SAN I/O Module if necessary. Brocade recommends backing up the configuration on a regular basis to ensure that a complete configuration is available for downloading to a replacement SAN I/O Module.

For specific instructions about how to back up the configuration, see the *Brocade Fabric OS Administrator's Guide*. The **switchShow**, **fabricShow**, and **configUpload** commands are described in detail in the *Brocade Fabric OS Command Reference*.

3 Connecting the SAN I/O Module to the fabric

Operating the SAN I/O Module

In this chapter

- Interoperability. 29
- Activating Ports on Demand 30
- Changing from Native Fabric mode to Access Gateway mode 33
- Changing from Access Gateway mode to Native Fabric mode 31
- Access Gateway mode default port mapping 33
- Accessing the SAN I/O Module. 33
- Interpreting POST results 34
- Interpreting SAN I/O Module LED activity 35
- Interpreting POST results 34
- Removing and replacing SAN I/O Modules 37
- Removing and replacing SFP+ transceivers and cables. 39
- Switch management 40
- Viewing the configuration 40
- Upgrading or downgrading firmware 41
- Changing the default account password 41
- Backing up the configuration 42
- Locating the serial number information. 43

Interoperability

The SAN I/O Module supports interoperability for the features and functions listed in [Table 5](#).

TABLE 5 Interoperability

Feature/Function	Description
Link initialization	The SAN I/O Module comes online automatically after it is seated securely in one of the Dell M1000e Blade Server Enclosure I/O module bays.
Routing	Fabric Shortest Path First (FSPF)—A link state path selection protocol that directs traffic along the shortest path between the source and destination based upon the link cost.
Registered state change notification (RSCN)	Notifies a device of a change within the fabric.
SNMP facilities	v1, v2c, and v3
Translative mode	Private target support on fabrics.

TABLE 5 Interoperability (Continued)

Feature/Function	Description
Trunking	Supported only between two Brocade switches.
Advanced Performance Monitoring	Enhancements include: <ul style="list-style-type: none"> • Coexistence of Top Talkers and APM on 16 Gbps platforms • E_Port Top Talkers support and E_Port end-to-end monitor support on 16 Gbps platforms • APM support on AG that provides end-to-end monitors and frame monitors

Activating Ports on Demand

Ports on Demand (POD) licensing allows you to enable up to 24 ports from the initial 12 ports on the Base model. You can add optional Ports on Demand (POD) licenses using either Brocade Web Tools or a Telnet connection. Do not use the Dell M1000e Blade Server Enclosure Chassis Management Controller (CMC) software.

NOTE

Only the Base model requires the use of POD licensing to increase the amount of active ports. The Full model and ENT model already have all ports enabled.

Ports on Demand is ready to be unlocked in the SAN I/O Module firmware. A POD license may be supplied with the SAN I/O Module software, or you can purchase the license separately from your SAN I/O Module vendor, who will provide you with a key to unlock it.

Once you have installed the license key, you must enable the ports. You can do so without disrupting SAN I/O Module operation, or you can disable and re-enable the SAN I/O Module to activate all ports.

If you remove a POD license, ports that were enabled by that license are disabled.

Activating ports with a POD license

You can activate ports with a POD license while the SAN I/O Module is connected to existing SANs, or before connecting to an existing SAN.

For SAN I/O Modules already connected to existing storage networks, complete the following steps:

1. Add the POD license using Web Tools or the CLI.
2. Enable each newly licensed port using Web Tools or the CLI.

NOTE

This method is non-disruptive to existing servers and storage connecting to the SAN I/O Module.

For new SAN I/O Module installations, perform the following procedure before connecting to an existing SAN.

ATTENTION

Do not use this method if the SAN I/O Module is operating in an existing SAN because traffic will be disrupted.

1. Disable the SAN I/O Module.

NOTE

If Secure Fabric OS is enabled, you cannot use Telnet or SSH to disable the SAN I/O Module. For details about using Web Tools, refer to the *Brocade Web Tools Administrator's Guide*. For details about the CLI, refer to the *Brocade Fabric OS Command Reference*.

2. Add the POD license using Web Tools or the CLI.
3. Enable the SAN I/O Module using Web Tools or the CLI. When the SAN I/O Module is enabled, the newly added POD ports become enabled.

Changing from Access Gateway mode to Native Fabric mode

The SAN I/O Module ships from the factory in Access Gateway (AG) mode. If your SAN I/O Module is currently configured in AG mode, you can enable the module for Native Fabric (fabric switch) mode by disabling AG mode. When you do this, the module automatically reboots in Native Fabric mode. Note that once the switch reboots to Native Fabric mode, it will not join the SAN automatically. Refer to the *Access Gateway Administrator's Guide* for instructions on how to join the switch into your SAN fabric.

Determine if the SAN I/O Module is running in AG mode by entering the **switchShow** command to display the current switch configuration. If running in Native Fabric mode, the **switchMode** parameter should display Access Gateway Mode.

For complete instructions on disabling Access Gateway mode using the CLI and joining the switch to the fabric, refer to the "Disabling Access Gateway Mode" section in the *Brocade Access Gateway Administrator's Guide*.

NOTE

Disabling Access Gateway mode is disruptive because the switch is disabled and rebooted. Always back up the current configuration before enabling or disabling Access Gateway mode. Enabling Access Gateway mode clears the security and zone databases. Disabling Access Gateway mode clears the F_Port to N_Port mapping.

Disabling Access Gateway mode

To disable AG mode on the SAN I/O Module, perform the following procedure.

1. Before disabling a switch in AG mode, save the current configuration file using the **configUpload** command in case you need this configuration again.

2. Enter the **switchDisable** command.

```
switch:admin> switchdisable
```

This command disables all user ports on a switch. All Fibre Channel ports are taken offline. If the switch is part of a fabric, the remaining switches reconfigure. You must disable the switch before making configuration changes.

3. Enter the **ag --modeDisable** command.

```
switch:admin> ag --modedisable
```

```
WARNING 1: Changing from Access Gateway mode to Switch mode will set zoning to "all access".
```

```
WARNING 2: Disabling agmode will remove all the configuration data on the switch including N_Port configuration and F_Port to N_Port mapping. Please backup your configuration using configupload.
```

```
This operation will reboot the switch.
```

```
Do you want to continue? (yes, y, no, n): [no] y
```

```
Access Gateway mode was disabled successfully
```

```
Switch is being rebooted...Wait for the switch to come up in "Native"mode.
```

4. Log in to the switch and verify that the switch is set to Native Fabric mode using the **switchShow** command.

```
switch:admin> switchshow
```

The switch mode should display "Native."

```
SH3_1737:root> switchshow  
switchName:      SH3_1737  
switchType:      130.0  
switchState:     Online  
switchMode:      Native  
switchRole:      Subordinate  
switchDomain:    2  
switchId:        fffc02  
switchWwn:       10:00:00:27:f8:0a:d8:83  
zoning:          ON (cfg_sh3_sanblaze)  
switchBeacon:    OFF  
FC Router:       OFF  
FC Router BB Fabric ID: 1  
Address Mode:    0
```

NOTE

You can also use the **ag --modeShow** command. The console will display the message, "Access Gateway mode is NOT enabled."

Refer to the *Access Gateway Administrator's Guide* for more information on changing from AG mode to Native Fabric mode.

Changing from Native Fabric mode to Access Gateway mode

Converting to Access Gateway (AG) mode allows you to use the module as a device management tool that transparently connects hosts to the fabric. Refer to the *Brocade Access Gateway Administrator's Guide* for information on changing from Native Fabric mode to AG mode.

Access Gateway mode default port mapping

The SAN I/O Module can contain 24 total ports. Of these, F_Ports are ports 1 through 16 and N_Ports are ports 0 and 17 through 23.

In Access Gateway mode, the SAN I/O Module F_Ports are mapped to N_Ports. The following table lists the factory-default F_Port to N_Port mapping for Access Gateway mode. For more information on changing port mapping and managing ports in Access Gateway mode, refer to the *Brocade Access Gateway Administrator's Guide*.

Table 6 shows Access Gateway mapping information.

NOTE

Automatic failover and automatic failback are enabled on all N_Ports.

TABLE 6 AG mapping

N_Port	17	18	19	20	21	22	23	0
F_Port	1, 2	3, 4	5, 6	7, 8	9, 10	11, 12	13, 14	15, 16

Accessing the SAN I/O Module

The SAN I/O Module is managed as a single element. It has a single IP address and appears as a separate entity to the Telnet protocol and the Simple Network Management Protocol (SNMP).

When SNMP devices send SNMP messages to a management console running SAN management software, the information is stored in a Management Information Base (MIB). The SAN I/O Module Fabric OS supports the FibreAlliance Fibre Channel Management (FCMGMT) MIBs, allowing the provision of needed information to a SAN administrator.

In addition, the Brocade Fabric Access Layer (API) and the Storage Management Initiative (SMI) provide facilities for the discovery and management of physical and logical elements in a SAN. Using the Fabric Access interface to the Fabric OS, a client application can retrieve information and modify the configuration of Brocade switches in the fabric.

Secure Telnet access is available using Secure Shell (SSH), a network security protocol for secure remote login and other secure network services over an insecure network.

Brocade Web Tools management is available through a secure browser using Secure Sockets Layer (SSL) and Transport Layer Security (TLS). The SSL/TLS security protocol provides data encryption, server authentication, message integrity, and optional client authentication for a TCP/IP connection. Because SSL/TLS is built into all major browsers and web servers, installing a digital certificate enables the SSL/TLS capabilities.

Interpreting POST results

The power-on self-test (POST) system check is performed each time the SAN I/O Module is powered on, rebooted, or reset. Refer to the following sample output:

```
POST1: Started running Tue Nov 9 20:27:57 GMT 2004
POST1: Test #1 - Running turboramtest
POST1: Test #2 - Running centralmemorytest
POST1: Test #3 - Running cmitest
POST2: Running diagshow
POST1: Script PASSED with exit status of 0 Tue Nov 9 20:28:10 GMT 2004 took
(0:
0:13)
POST2: Started running Tue Nov 9 20:28:12 GMT 2004
POST2: Test #1 - Running camtest
POST2: Test #2 - Running txdpath
POST2: Test #3 - Running spinsilk (SERDES)
POST2: Running diagshow
POST2: Script PASSED with exit status of 0 Tue Nov 9 20:29:11 GMT 2006 took
(0:
0:59)
Initializing Ports ....
Port Initialization Completed
Enabling switch...
```

Perform the following steps to determine POST completion status.

1. Verify the LEDs on the SAN I/O Module indicate that switch status is healthy. LED patterns are described in [“Interpreting SAN I/O Module LED activity”](#) on page 35.

If any of the LEDs does not display a healthy state, verify the LEDs are not set to beacon. Use the **switchShow** command or Web Tools to verify the LED state. For information about how to enable and disable beaconing, refer to the *Brocade Fabric OS Administrator’s Guide* or the *Brocade Web Tools Administrator’s Guide*.

2. Use the Dell M1000e Blade Server Enclosure’s Chassis Management Controller (CMC) GUI to verify that the SAN I/O Module is working correctly.

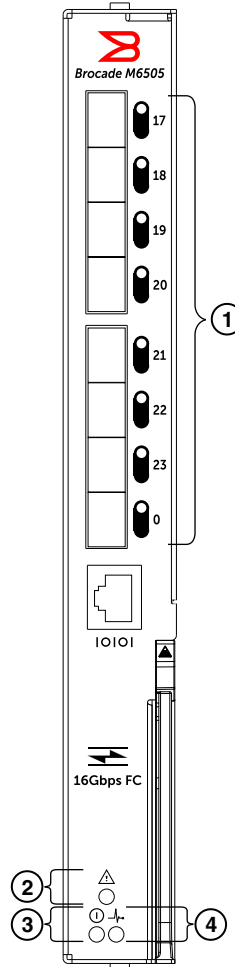
For details, refer to the *Dell PowerEdge M1000e Enclosure Owner’s Manual* that comes with your Dell M1000e Blade Server Enclosure.

3. Review the system log for errors.

Any errors detected during POST are written to the system log. Access this log using the **errShow** command. For more information, refer to the *Brocade Fabric OS Command Reference*. For information about error messages, see the *Brocade Fabric OS Message Reference*.

Interpreting SAN I/O Module LED activity

The SAN I/O Module uses LEDs to indicate status, as shown in [Figure 6](#).



- | | | | |
|---|-------------------------|---|------------------------------------|
| 1 | FC external port status | 3 | SAN I/O Module power status |
| 2 | SAN I/O Module status | 4 | Server management status/indicator |

FIGURE 6 SAN I/O Module front panel LEDs

LEDs are used to indicate switch health, status of the external ports, and power to the SAN I/O Module. LEDs are also used to indicate diagnostics and test results.

For details about the meaning of each LED state, refer to the following sections:

- [“Power-on self-test LEDs”](#) on page 36
- [“Normal-operation LEDs”](#) on page 36

Power-on self-test LEDs

The SAN I/O Module LEDs flash in various patterns during bootup, power-on self-test (POST), or other diagnostic tests. This is normal and does not indicate a problem unless the LEDs do not indicate a healthy state after all boot processes and diagnostic tests are complete.

- If POST fails, LEDs appear yellow.
- If POST is successful, LEDs appear green.

NOTE

The SAN I/O Module will continue to operate after POST indicates a fatal error. Although the SAN I/O Module continues to operate, it will not operate normally. It is therefore recommended that you check the Dell M1000e Blade Server Enclosure Chassis Management Controller (CMC) error log and resolve the condition as soon as possible.

Normal-operation LEDs

After POST is complete and if no diagnostics are being run, LEDs are used to monitor the state and health of the SAN I/O Module, which are listed in [Table 7](#). The green and amber port LEDs are shown as steady, flashing, or flickering, depending on the SAN I/O Module operating mode. When LEDs are off, there is no light or signal carrier (for example, no module or cable) for the media interface. The green and amber switch LEDs are shown as steady or flashing depending on whether the SAN I/O Module has power, is up and running, or results in an error.

TABLE 7 Interpreting front panel LEDs during normal operation

LED type	LED color and state	Description
LED (diagnostic)	Off (no light)	<ul style="list-style-type: none"> • No light or signal carrier (no module or no cable for media interface) • No license
	Steady amber	Receiving light or signal carrier, but not yet online
	Slow flashing amber (2-second intervals)	Disabled (result of diagnostics or portDisable command)
	Fast flashing amber (1/2-second intervals)	Error (fault with port)
FC external port status LED	Off (no light)	<ul style="list-style-type: none"> • No light or signal carrier (no module or no cable for media interface) • No license
	Steady green	<ul style="list-style-type: none"> • Online (connected with external device over cable) • Normal active port, but no activity
	Slow flashing green	Online, but segmented (loopback cable or incompatible switch)
	Fast flashing green	Internal loopback (diagnostic)
	Flickering green	Normal active port (frames flowing through port)
	Steady amber	Signal is present but not online
	Slow flashing amber	Disabled port (less than 2-second interval)
	Fast flashing amber	Error or fault with port (less than 1/2-second interval)

TABLE 7 Interpreting front panel LEDs during normal operation (Continued)

SAN I/O Module status LED	Off (no light)	SAN I/O Module is off or power supplies for the Blade Server or onboard DCC have failed
	Steady green	No errors and all ports are ready for use
	Steady amber	Boot-up state, port(s) offline, or in reset state
	Blinking (green or amber)	One or more environmental ranges are exceeded, or error log contains diagnostic error messages NOTE: The LED may blink during testing.
SAN I/O Module power LED	Off (no light)	SAN I/O Module is off or power supplies for the Dell M1000e Blade Server Enclosure or onboard DCC have failed
	Green	Normal operation and power supply is functioning properly. Power is supplied by the Dell M1000e Blade Server Enclosure
Server management LED	Blue or Amber	Indicates management health status; controlled by Dell M1000e Blade Server Enclosure CMC For details, refer to the <i>Dell PowerEdge M1000e Enclosure Owner's Manual</i> .

Removing and replacing SAN I/O Modules

Complete the following steps to remove and replace a failed SAN I/O Module.

NOTE

Before beginning this procedure, ensure that you have a replacement SAN I/O Module or filler panel available because you do not want to leave the slot on the Dell M1000e Blade Server Enclosure open for an extended period of time. The slot must be filled with either a replacement SAN I/O Module or a filler panel to maintain proper air flow.

1. Back up the SAN I/O Module configuration to an FTP server using the **copy configUpload** command, then complete the prompts that follow. For more information on backing up a configuration, refer to the *Brocade Fabric OS Administrator's Guide*.

The **configUpload** command uploads the SAN I/O Module configuration to the server, making it available for downloading to a replacement SAN I/O Module, if necessary.

NOTE

It is recommended that you back up the configuration on a regular basis to ensure that a complete configuration is available for downloading to a replacement SAN I/O Module.

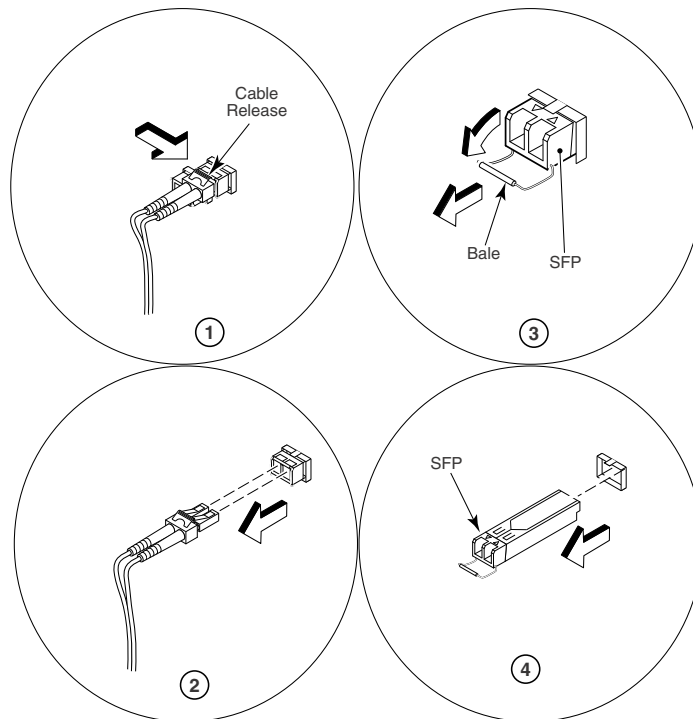
2. Using the Dell M1000e Blade Server Enclosure, ensure that all port activity used in the SAN I/O Module and all services are stopped.

For details about port management, refer to the documentation that comes with your Dell M1000e Blade Server Enclosure. Verify there is no activity by viewing the SAN I/O Module LEDs. For details about LED activity, refer to [“Interpreting SAN I/O Module LED activity”](#) on page 35.

3. Disconnect all cables from the SFP+ transceivers, then remove the transceivers from the external ports. For more information, refer to [“Removing and replacing SFP+ transceivers and cables”](#) on page 39.

4 Removing and replacing SAN I/O Modules

For added convenience, you can refer to [Figure 7](#), which provides the generic process for removing an SFP+ transceiver from a port.



- | | | | |
|---|-------------------------|---|------------------------------|
| 1 | Cable release clip | 3 | Opening the bale on the SFP+ |
| 2 | Disconnecting the cable | 4 | Removing the SFP+ |

FIGURE 7 Removing an SFP+ transceiver from a port

4. Disconnect the RJ-45 Ethernet cable from the COM serial port.
5. Press the release latch to free the release lever. Refer to [Figure 3](#) on page 13.
6. Gently pull the release lever down and toward you to release the SAN I/O Module.
You will feel the SAN I/O Module unseat and move out of the I/O module bay approximately 0.6 cm (0.25 inch).
7. Slide the SAN I/O Module out of the I/O module bay and set it aside.
8. Insert the replacement SAN I/O Module in the I/O module bay of the Dell M1000e Blade Server Enclosure. You must complete this step within 60 seconds.

ATTENTION

If you are not inserting a replacement SAN I/O Module in the I/O module bay, use a filler panel to fill the empty slot to maintain proper air flow and cooling. Do not leave the slot empty.

9. Reinsert the SFP+ transceivers that you removed in step 3.

10. Reconnect the cables that you disconnected in step 3.

For additional information about connecting cables, refer to “[Installation and safety guidelines when handling cables](#)” on page 16, and the documentation that comes with the SFP+ transceivers to which the cables have been connected.

11. (Optional) Reconnect the RJ-45 Ethernet cable that you disconnected in step 4.
12. Establish a connection to the Dell M1000e Blade Server Enclosure from the Chassis Management Controller (CMC).

Removing and replacing SFP+ transceivers and cables

1. Review “[Installation and safety guidelines when handling cables](#)” on page 16.
2. Disconnect the cable from the SFP+ transceiver.
3. Remove the SFP+ transceiver according to the manufacturer’s instructions, or as shown in [Figure 7](#).

The figure illustrates the process for removing the cable from the transceiver, and then removing the transceiver from the port.

NOTE

The appearance of your SFP+ transceivers might differ slightly from the transceiver shown in [Figure 7](#), but the steps for removal are the same.

4. Insert the replacement SFP+ transceiver in the external port on the SAN I/O Module until it is firmly seated and the latching mechanism clicks.

SFP+ transceivers are keyed to ensure correct orientation. If a transceiver does not install easily, ensure that it is correctly oriented.

ATTENTION

Be sure to use only Brocade-branded SFP+ transceivers. If unapproved products are used, a fault will occur on the port.

For instructions specific to the type of transceiver, visit the MyBrocade web site at:

<http://my.brocade.com>

5. Insert the cable in the SFP+ transceiver until the latching mechanism clicks.

NOTE

Before inserting the cables, it is recommended that you refer to “[Installation and safety guidelines when handling cables](#)” on page 16.



CAUTION

A 50-micron cable should not be bent to a radius less than 2 inches under full tensile load and 1.2 inches with no tensile load.

Switch management

You can access the SAN I/O Module from either the Dell M1000e Blade Server Enclosure Chassis Management Controller (CMC), or directly from the SAN I/O Module.

Managing the SAN I/O Module can be performed using Web Tools, through Brocade Network Advisor (BNA) management software, which offers a holistic view of the SAN, or through the CLI, which is accessible using Telnet/SSH, or the local RJ-45 serial port.

- Brocade Web Tools—An embedded graphical user interface (GUI) that enables administrators to monitor and manage single or small fabrics, switches, and ports. Web Tools is launched directly from a web browser or from the Brocade Network Advisor. Refer to the *Brocade Web Tools Administrator's Guide* for details about using the application.
- Brocade Network Advisor (BNA)—A management application that provides centralized management of the network using a graphical user interface (GUI), as well as quick access to all product configuration applications. Refer to the *Brocade Network Advisor SAN User Manual* for details about using the application.
- Command-line interface (CLI)—The command-line interface uses Fabric OS. (Refer to the product release notes for version information.) Refer to the *Brocade Fabric OS Command Reference Manual* for supported commands.

From the Dell M1000e Blade Server Enclosure CMC, you can connect to the SAN I/O Module by:

- Entering the **connect switch-x** command at the command prompt, which connects by way of an internal serial port.
- From the CMC GUI by selecting **I/O Module Overview** from the left navigation panel, which launches the Web Tools application.
- Using Telnet or SSH to access the SAN I/O Module CLI.
- Through the CMC Ethernet physical connection after assigning an IP address to the SAN I/O Module.

Viewing the configuration

Use the **configShow -all** command to display all configuration data for the SAN I/O Module.

A sample configuration is provided.

```
switch :admin> configshow -all
[Configuration upload Information]
Configuration Format = 2.0
date = Tue Oct 7 14:54:20 2008
FOS version = v6.2.0.0
Number of LS = 3
[Chassis Configuration Begin]
[fcRouting]
fcRoute.backboneFabricId:100
fcRoute.fcrState:2
fcRouteParam.maxLsanCount:3000
fcRoute.port.8.xportAdmin:DISABLED
fcRoute.port.8.fabricId:4
fcRoute.port.8.ratov:10000
fcRoute.port.8.edtov:2000
fcRoute.port.8.frontConfigDid:160
fcRoute.port.8.portType:400
```

```

fcRoute.port.8.portMode:0
fcRoute.port.8.autoElp:7
fcRoute.port.9.xportAdmin:DISABLED
fcRoute.port.9.fabricId:5
fcRoute.port.9.ratov:10000
fcRoute.port.9.edtov:2000
fcRoute.port.9.frontConfigDid:160
fcRoute.port.9.portType:400
fcRoute.port.9.portMode:0
fcRoute.port.9.autoElp:7
fcRouteParam.port.8.rportCost:0
fcRouteParam.port.9.rportCost:0
fcRoute.xlate.persistxdState:1
fcRouteParam.lsan.tagCnt:0

```

For more information on command options, refer to the *Brocade Fabric OS Command Reference*.

Upgrading or downgrading firmware

Use the **firmwareDownload** command to download firmware from a remote host. You can download firmware interactively. A sample configuration is provided.

```

switch:admin> firmwaredownload
Server Name or IP Address: 192.168.32.10
User Name: admin
File Name: ~admin/dist/FOS7.0.0/
Network Protocol(1-auto-select, 2-FTP, 3-SCP, 4-SFTP) [1]:
Password:*****

```

For more information on command options, refer to the *Brocade Fabric OS Command Reference*.

Changing the default account password

The SAN I/O Module automatically prompts you to change the default account password after logging in for the first time. If you do not change the password, you are prompted to do so after each subsequent login until the default password has been changed.

The default account password can be changed from its original value only when prompted immediately following the login; the password cannot be changed using the **passwd** command later in the session. If you skip the prompt and then later decide to change the password, you must log out and then log in again.

The **passwd** command changes the password for your own account.

Use the “admin” account to log in to the switch for the first time and to perform the basic configuration tasks. The default password for all of these accounts is “password”.

Changing the default account password at login

1. Connect to the SAN I/O Module and log in using the default administrative account.
2. At each of the “Enter new password” prompts, enter a new password.

User-defined passwords can have from 8 through 40 characters. They must begin with an alphabetic character and can include numeric characters, the period (.), and the underscore (_). Passwords are case-sensitive.

A sample output of changing passwords is provided.

```
login: admin
Password:
Please change your passwords now.
Use Control-C to exit or press 'Enter' key to proceed.
for user - root
Changing password for root
Enter new password: <hidden>
Password changed.
Saving password to stable storage.
Password saved to stable storage successfully.
(output truncated)
```

For more information on setting passwords, refer to the *Brocade Fabric OS Administrator's Guide*.

Backing up the configuration

Prior to backing up a configuration for the SAN I/O Module, you can check the configuration by initiating the **configShow** and **fabricShow** commands.

- The **configShow** command displays switch and port status.
- The **fabricShow** command displays fabric membership information.

Complete the following steps to back up the switch configuration to an FTP server.

1. Open a Telnet or SSH session to the SAN I/O Module.
2. Enter **configUpload**, which uploads the switch configuration to the server, making it available for downloading to a replacement SAN I/O Module, if necessary.
3. Follow the prompts to upload the configuration.

NOTE

It is recommended that you back up the configuration on a regular basis to ensure that a complete configuration is available for downloading to a replacement SAN I/O Module.

For specific instructions about how to back up a configuration, refer to the *Brocade Fabric OS Administrator's Guide*. For detailed information about the commands used in backing up a configuration, refer to the *Brocade Fabric OS Command Reference*.

Locating the serial number information

Before contacting service support, be sure to obtain the SAN I/O Module serial number.

NOTE

When contacting service support, you will also need the Dell service tag. The service tag label is located on the outside of SAN I/O Module; however, the label is not visible when the SAN I/O Module is inserted in the Dell M1000e Blade Server Enclosure. You can access the service tag number using cli commands.

To locate the serial number, invoke the **chassisShow** command. The SAN I/O Module serial number is displayed, along with other data.

If your SAN I/O Module was shipped as a single unit, the service tag and serial number are one and the same when viewing the command output. In the sample configuration output provided below, the serial number and service tag are shown as 8RTYJN1.

```
CHASSIS/WWN Unit: 1
Header Version:      2
Factory Part Num:    40-1000789-04
Factory Serial Num:  CFU0428H00W
Manufacture:         Day: 12  Month: 7  Year: 2012
Update:              Day: 30  Month: 8  Year: 2012
Time Alive:          21 days
Time Awake:          3 days
ID:                  BRD0000CA
Part Num:            SLKWRM0000E14
Serial Num:          8RTYJN1
```

For additional Dell service tag information, refer to *Dell Chassis Management Controller Firmware Version 4.x User Guide*.

4 Locating the serial number information

SAN I/O Module Specifications

In this appendix

- Processor and memory specifications 45
- Weight and physical dimensions 45
- Environmental specifications 46
- Electrical specifications 46
- Architectural specifications 46
- Supported HBAs 47
- Fibre Channel standards compliance 47
- Regulatory compliance 47
- Environmental regulation compliance 50

Processor and memory specifications

Table 8 lists processor and memory used in the SAN I/O Module.

TABLE 8 Processor and memory specifications

Memory type	Value
PowerPC 440EPX processor	667 MHz
SDRAM	1 GB DDR2 - for system memory at 64 bits with 8 ECC operating at 166 MHz
Boot Flash	4 MB
Compact Flash	1 GB

Weight and physical dimensions

Table 9 lists the weight and physical dimensions of the SAN I/O Module.

TABLE 9 Weight and physical dimensions

Dimension	Measurement
Height	32.48 mm (1.27 in)
Width	272.75 mm (10.74 in)
Depth	307.24 mm (12.09 in)
Weight	2.10 kg (4.65 pounds) without media

Environmental specifications

Table 10 lists the environmental specifications for the SAN I/O Module.

TABLE 10 Environmental specifications

Condition	Operating	Non-operating
Temperature	0 °C to 40 °C (32 °F to 104 °F)	-20 °C to 70 °C (-4 °F to 158 °F)
Humidity	10% to 90%, non-condensing at 29 °C (84.2 °F)	5% to 95%, non-condensing at 38 °C (100.4 °F)
Altitude	Up to 3,048 m (10,000 ft)	10,668 m (35,000 ft)
Shock	20 G for 6 ms	50 G with velocity change of 4216 mm/sec squared
Vibration	0.4 G at 5–500 Hz for 60 minutes	0.5 G at 2–200 Hz for 15 minutes
Air flow	30 °C (86 °F) Ambient: Approx. 3CFM 40 °C (104 °F) Ambient: Approx. 9CFM	None required

Electrical specifications

Table 11 lists the electrical specifications for the SAN I/O Module.

TABLE 11 Electrical specifications

Feature	Description
DC input	12V and 3.3V from chassis
Power consumption	30W (idle) to 40W (maximum)

Architectural specifications

The SAN I/O Module meets the specifications shown in Table 12.

TABLE 12 Architectural specifications

Feature	Description
Scalability	Refer to the current <i>Brocade Scalability Guidelines</i> publication.
Certified maximum	Refer to the current <i>Brocade Scalability Guidelines</i> publication.
Performance	4.25/8.50/14.025 Gbps line speed, full duplex
Fabric latency (Native Fabric mode only)	<1.2 µsec with no contention
Maximum frame size	2112-byte payload
Class of service	Class 2 Class 3 Class F (interswitch frames)

TABLE 12 Architectural specifications (Continued)

Feature	Description
Port types	Fabric OS Native mode <ul style="list-style-type: none"> • E_Port (expansion port) • F_Port (fabric-enabled port) • U_Port (self-discovery based on switch type) AG mode <ul style="list-style-type: none"> • F_Port (fabric-enabled port) • N_Port (NPIV-enabled port)
Fabric services (Native Fabric mode only)	Simple Name Server, Registered State Change Notification (RSCN)

Supported HBAs

For information regarding supported Fibre Channel mezzanine adapters, refer to Dell-specific product information.

For additional information, refer to your Dell PowerEdge documentation.

Fibre Channel standards compliance

The SAN I/O Module meets or exceeds the Fibre Channel standards for compliance, performance, and feature capabilities as defined in the Brocade standards compliance list. This information is available at:

http://www.brocade.com/products/interop/standards_compliance.jsp

Regulatory compliance

This section describes the regulatory compliance requirements for the Product Name.

FCC warning (US only)

This equipment has been tested and complies with the limits for a Class A computing device pursuant to Part 15 of the FCC Rules. These limits are designed to provide reasonable protection against harmful interference when the equipment is operated in a commercial environment.

This equipment generates, uses, and can radiate radio frequency energy, and if not installed and used in accordance with the instruction manual, might cause harmful interference to radio communications. Operation of this equipment in a residential area is likely to cause harmful interference, in which case the user will be required to correct the interference at the user's own expense.

BSMI statement (Taiwan)

警告使用者：

這是甲類的資訊產品，在居住的環境中使用時，可能會造成射頻干擾，
在這種情況下，使用者會被要求採取某些適當的對策。

KC statement (Republic of Korea)

사용자 안내문 : A 급기기

이 기기는 업무용으로 전자파 적합 등록을 받은 기기
이오니, 판매자 또는 사용자는 이점을 주의하시기
바라며, 만약 잘못 구입하셨을 때에는 구입한 곳에
서 비업무용으로 교환하시기 바랍니다.

VCCI statement (Japan)

This is a Class A product based on the standard of the Voluntary Control Council for Interference by Information Technology Equipment (VCCI). If this equipment is used in a domestic environment, radio disturbance might arise. When such trouble occurs, the user might be required to take corrective actions.

この装置は、情報処理装置等電波障害自主規制協議会（VCCI）の基準
に基づくクラス A 情報技術装置です。この装置を家庭環境で使用すると電波
妨害を引き起こすことがあります。この場合には使用者が適切な対策を講ず
るように要求されることがあります。

CE statement

ATTENTION

This is a Class A product. In a domestic environment, this product might cause radio interference, and the user might be required to take corrective measures.

The standards compliance label on the SAN I/O Module contains the CE mark which indicates that this system conforms to the provisions of the following European Council directives, laws, and standards:

- Electromagnetic Compatibility (EMC) Directive 89/336/EEC and the Complementary Directives 92/31/EEC and 93/68/EEC
- Low Voltage Directive (LVD) 73/23/EEC and the Complementary Directive 93/68/EEC
- EN50082-2/EN55024:1998 (European Immunity Requirements)
 - EN61000-3-2/IEC61000-3-2 (European and Japanese Harmonics Spec)
 - EN61000-3-3

Canadian requirements

This Class A digital apparatus meets all requirements of the Canadian Interference-Causing Equipment Regulations, ICES-003 Class A.

Laser compliance

This equipment contains Class 1 laser products and complies with FDA Radiation Performance Standards, 21 CFR Subchapter I and the international laser safety standard EN60825-1:1994 +A1+A2.



CAUTION

Use only optical transceivers that are qualified by Brocade Communications Systems, Inc. and comply with the FDA Class 1 radiation performance requirements defined in 21 CFR Subchapter I, and with IEC825-2 to EN60825-1:1994 +A1+A2. Optical products that do not comply with these standards might emit light that is hazardous to the eyes.

RTC battery

ATTENTION

Do not attempt to replace the real-time clock (RTC) battery. There is danger of explosion if the battery is incorrectly replaced or disposed of. Contact your switch supplier if the real-time clock begins to lose time.

Regulatory compliance standards

Table 13 lists the regulatory compliance standards for which the SAN I/O Module is certified.

TABLE 13 Regulatory compliance standards

Country	Standards		Agency Certifications and Markings	
	Safety	EMC	Safety	EMC
United States	Bi-Nat UL/CSA 60950-1 2nd Ed or latest	ANSI C63.4	cCSAus	FCC Class A and Statement
Canada	Bi-Nat UL/CSA 60950-1 2nd Ed or latest	ICES-003 Class A	cCSAus	ICES A and Statement
Japan		CISPR22 and JEIDA (Harmonics)		VCCI-A and Statement
European Union	EN60950-1 or latest	EN55022 and EN55024	TUV Type	CE marking
Australia, New Zealand		EN55022 or CISPR22 or AS/NZS CISPR22		C-Tick mark
Korea		KN22 and KN24		KC mark Class A

Environmental regulation compliance

This section describes the China ROHS environmental regulatory compliance requirements for the SAN I/O Module.

Environmental Protection Use Period (EPUP) Disclaimer

In no event do the EPUP logos shown on the product and field-replaceable units (FRUs) alter or expand that warranty that Brocade provides with respect to its products as set forth in the applicable contract between Brocade and its customer. Brocade hereby disclaims all other warranties and representations with respect to the information contained on this CD including the implied warranties of merchantability, fitness for a particular purpose, and non-infringement.

The EPUP assumes that the product will be used under normal conditions in accordance with the operating manual of the product.

环保使用期限 (EPUP) 免责声明:

EPUP 标志不会出现在产品和 FRU 的改装产品中, 也不会对 Brocade 所提供的相关产品保修条款 (该保修条款在 Brocade 及其客户间达成的适用合同中列出) 进行增补。对于此 CD 上包含的相关信息, 如适销性、针对特定用途的适用性和非侵权性的暗示保证, Brocade 在此郑重声明本公司对于与上述信息相关的所有其他保证和陈述概不负责。EPUP 假设在“产品操作手册”中注明的常规条件下使用该产品。

China RoHS

The contents included in this section are per the requirements of the People's Republic of China-Management Methods for Controlling Pollution by Electronic Information products.

遵守环境法规

中国 RoHS

本节中包含的内容都遵守了中华人民共和国《电子信息产品污染控制管理办法》的要求。

Names and Contents of the Toxic and Hazardous Substances or Elements

In accordance with China's Management Measures on the Control of Pollution caused by Electronic Information products (Decree No. 39 by the Ministry of Information Industry), the following information is provided regarding the names and concentration level of Hazardous substances (HS) which may be contained in this product.

China ROHS Hazardous Substances/Toxic Substances (HS/TS) Concentration Chart

Name of the Component	Hazardous/Toxic Substance/Elements					
	Lead (PB)	Mercury (Hg)	Cadium (CD)	Hexavalent Chromium (CR6+)	Polybrominated Biphenyl (PBB)	Polybrominated Diphenyl Ether (PBDE)
Fibre Channel Switch	X	0	0	0	0	0
PCBA cards	X	0	0	0	0	0
SFPs (optical cable connectors)	X	0	0	0	0	0
Sheet Metal	X	0	0	0	0	0
Mechanical brackets and Slides	X	0	0	0	0	0
Software/ Documentation CDs	0	0	0	0	0	0

X indicates that the concentration of such hazardous/toxic substance in all the units of homogeneous material of such component is higher than the SJ/T11363-2006 Requirements for Concentration Limits.


0 indicates that no such substances are used or that the concentration is within the aforementioned limits.

CHINA ROHS有害物质/有毒物质(HS/TS)限量列表

有毒与有害物质或元素的名称及含量

根据中国的<<电子信息产品污染控制管理办法>>

(信息产业部第39号令), 本公司提供以下有关产品中可能含有的有害物质(HS)的名称及含量水平的信息。

主要部件名称	有害/有毒物质或元素					
	铅 (PB)	汞 (Hg)	镉 (CD)	六价铬 (CR6+)	多溴联苯 (PBB)	多溴二苯醚 (PBDE)
光纤通道交换机	X	0	0	0	0	0
线路板部件	X	0	0	0	0	0
 SFP (光纤接头)	X	0	0	0	0	0
钣金件	X	0	0	0	0	0
机械支架及滑轨	X	0	0	0	0	0
软件/文档光盘	0	0	0	0	0	0

X 表示此类部件内同质材料中的有害/有毒含量高于SJ/T11363-2006的限量要求。

0 表示未使用此类物质或其含量低于上述限量要求。

A Environmental regulation compliance

Index

A

- access gateway
 - enhancements, 3
 - storage arrays, 5
- access gateway mode, 1, 3, 5
 - default port mapping, 33
- Adaptive Networking
 - license, 6
- Advanced Performance Monitoring
 - enhancements, 30
 - license, 6
- ag --modeShow command, 32
- ag --modeDisable command, 32
- architectural specifications, 46
- ASIC, 6
- Australia
 - regulatory compliance, 50

B

- backplane connectors, 9
- base model, 11
- battery statement, 49
- beacon, 34
- boot, 36
- Brocade ASIC, 6
- Brocade Fabric OS cli, 40
- Brocade ISL Trunking
 - license, 5
- Brocade Network Advisor, 40
- Brocade Web Tools, 40
- BSMI statement (Taiwan), 48

C

- cables
 - caution, 16, 39
 - guidelines, 16
 - part numbers, 17
 - radius, 16
- Canada
 - regulatory compliance, 49
- Canadian requirements, 49
- caution
 - indicator, ix
- CE statement, 48
- chassisShow command, 43
- China RoHS, 50, 52
- commands
 - ag --modeDisable, 32
 - ag --modeShow, 32
 - chassisShow, 43
 - configShow, 40, 42
 - configUpload, 27, 32, 37, 42
 - configure, 25
 - connect, 22
 - connect switch, 21
 - connect switch-x, 14, 21, 40
 - errShow, 34
 - fabricShow, 27, 42
 - firmwareDownload, 41
 - ipAddrSet, 23
 - ipAddrShow, 22
 - licenseIdShow, xi
 - passwd, 41
 - supportSave, xi
 - switchDisable, 25, 32
 - switchShow, xi, 27, 31, 32, 34
 - wwn, xi
- configShow command, 40, 42
- configUpload command, 27, 32, 37, 42
- configuration
 - backing up, 42
- configure command, 25
- connect command, 22
- connect switch-x command, 14, 21, 40

D

diagnostics, 16
 LED operation, 36
 dimensions, 45
 DPOD (see dynamic ports on demand)
 dynamic ports on demand, 3, 4
 licensing, 4

E

electrostatic discharge, 11
 enhanced group management, 3
 enterprise model, 11
 EPUP disclaimer, 50
 errShow command, 34
 ESD, 11
 Ethernet connection, 14
 European Union
 regulatory compliance, 50
 external ports, 1

F

Fabric OS, 2, 33
 native mode, 5
 release notes, x
 fabric OS, 3
 fabric OS native mode
 changing from access gateway mode, 31
 Fabric Watch
 license, 6
 fabricShow command, 27, 42
 FCC warning (US only), 47
 Fibre Channel
 auto-negotiating ports, 2
 auto-sensing ports, 5
 ports, 1
 Fibre Channel standards compliance, 47
 firmwareDownload command, 41
 FSPF, 29
 FTP
 firmware upgrades, 4
 FTP server, 42
 full model, 11
 full-duplex
 Ethernet ports, 2

G

guidelines
 reliability, 12
 static-sensitive devices, 12

H

handling
 optical transceivers, 15
 static-sensitive devices, 12
 hazardous substances, 51
 host OS, 2

I

internal ports, 1
 Internet Explorer, 24
 interoperability, 29
 interpreting
 LED activity, 35
 POST results, 35
 IP address
 filtering, 3
 modify using CMC CLI, 21
 modify using CMC GUI, 21
 modify using module CLI, 22
 modifying default, 20
 ipAddrSet command, 23
 ipAddrShow command, 22
 ISL Trunking, 3
 groups, 5, 6
 license, 6

J

Japan
 regulatory compliance, 50
 Java, 24

K

KC statement (Republic of Korea), 48
 Korea
 regulatory compliance, 50

L

laser compliance, 49
 LED, 34, 35
 LED activity
 interpreting, 35
 LEDs
 ACT led, 36
 diagnostics, 36
 LINK led, 36
 management health status, 2
 normal operation, 36
 port and port status, 8
 POST, 36
 power status, 8
 server management status, 8
 switch status, 2, 8
 system power, 2
 licenseIdShow command, *xi*
 licenses
 Adaptive Networking, 6
 Advanced Performance Monitoring, 6
 BNA, 6
 Fabric Watch, 6
 ISL Trunking, 6
 Ports on Demand, 6
 link initialization, 29

M

management
 Brocade Network Advisor, 40
 cli, 40
 Web Tools, 40
 management tool, 34
 media
 multi-mode, 17
 models
 base, 11
 enterprise, 11
 full, 11
 multi-mode media, 17

N

native fabric mode, 1
 port types, 6
 New Zealand
 regulatory compliance, 50
 NPIV, 1, 5
 NTP
 client support, 4

O

operating system support, 33
 operating systems
 supported, 2
 optical cabling, 16
 optical transceivers
 connection types, 10
 guidelines, 15
 handling, 15
 inserting, 16
 orientation, 16, 39
 part numbers, 15
 pre-installed, 10
 removing, 39
 replacing, 39
 SFP+, 2
 speed, 17
 wavelength, 10
 optional features
 access gateway mode, 7

P

passwd command, 41
 password
 changing initial prompt, 42
 port mapping, 33
 port mirroring, 3
 port negotiation, 33
 ports
 external, 1
 internal, 1
 serial console, 2
 speed, 1
 Ports on Demand
 license, 6

ports on demand
 dynamic, 4
 POST, 16, 34
 LEDs
 bootup, 36
 results, 35

R

RBAC, 3
 RCSN, 29
 regulatory compliance, 47
 Australia, 50
 BSMI statement (Taiwan), 48
 Canada, 49
 Canadian requirements, 49
 CE statement, 48
 environmental, 50
 European Union, 50
 FCC warning (US only), 47
 Japan, 50
 KC statement (Republic of Korea), 48
 Korea, 50
 laser compliance, 49
 New Zealand, 50
 RTC battery, 49
 United States, 49
 VCCI statement (Japan), 48
 release latch, 13
 locking, 14
 operating, 14
 release lever, 7, 13, 14
 operating, 14, 38
 reliability guidelines, 12
 remote access, 14
 role-based access control, 3
 routing, 29
 RTC battery statement, 49
 runtime elements, 2

S

SAN I/O Module
 accessing, 33
 backplane connectors, 9
 characteristics, 7
 connecting to Ethernet, 24
 connecting to fabric, 24
 front panel, 7
 hardware description, 7
 nonport side, 9
 physical dimensions and weight, 45
 release latch, 13
 release lever, 7, 13
 removing, 37
 replacing, 37
 side view, 9
 status, 35
 serial console port, 2
 serial number, *xi*
 locating, 43
 service level classes, 3
 service tag, *xi*, 43
 SFP+ (see also optical transceivers), 2, 10
 SNMP
 supported versions, 3
 SNMP facilities, 29
 specifications, 45
 SSH, 42
 static-sensitive devices, handling, 12
 substances
 hazardous, 51
 hazardous concentration chart, 51
 toxic, 51
 supported HBAs, 47
 supportSave command, *xi*
 switch
 serial number, *xi*
 switch management
 Brocade Network Advisor, 40
 cli, 40
 Web Tools, 40
 switchDisable command, 25, 32
 switchShow command, *xi*, 27, 31, 32, 34
 system LEDs, 2

T

- Telnet, 42
- terminal session with I/O module, 22
- toxic substances, 51
- transceivers (see also optical transceivers), 10
- translative mode, 29
- trunking, 30

U

- United States
 - regulatory compliance, 49

V

- VCCI statement, 48

W

- warning
 - indicator, ix
- web browser, 24
- Web Tools, 24
 - Java, 24
 - using to connect SAN I/O Module, 24
- weight, 45
- wwn command, xi

Z

- zoning, 3, 6, 33

Index